

# General Specifications

## EJX430A Gauge Pressure Transmitter



GS 01C25E01-01EN

[Style: S2]

The high performance gauge pressure transmitter EJX430A features single crystal silicon resonant sensor and is suitable to measure liquid, gas, or steam pressure. The EJX430A outputs a 4 to 20 mA DC signal corresponding to the measured pressure. It also features quick response, remote setup and monitoring via BRAIN or HART communications, and diagnostics. The multi-sensing technology provides the advanced diagnostic function to detect such abnormalities as an impulse line blockage or heat trace breakage. FOUNDATION Fieldbus and PROFIBUS PA protocol types are also available.

All EJX series models in their standard configuration, with the exception of the Fieldbus and PROFIBUS types, are certified as complying with SIL 2 for safety requirement.



### ■ STANDARD SPECIFICATIONS

Refer to GS 01C25T02-01EN for Fieldbus communication type and GS 01C25T04-01EN for PROFIBUS PA communication type for the items marked with “◇.”

#### □ SPAN AND RANGE LIMITS

Measurement Span/Range		MPa	psi (/D1)	bar (/D3)	kgf/cm <sup>2</sup> (/D4)
H	Span	2.5 to 500 kPa	10 to 2000 inH <sub>2</sub> O	0.025 to 5	0.025 to 5
	Range	-100 to 500 kPa	-400 to 2000 inH <sub>2</sub> O	-1 to 5	-1 to 5
A	Span	0.0175 to 3.5	2.5 to 500	0.175 to 35	0.175 to 35
	Range	-0.1 to 3.5	-14.5 to 500	-1 to 35	-1 to 35
B	Span	0.08 to 16	12 to 2300	0.8 to 160	0.8 to 160
	Range	-0.1 to 16	-14.5 to 2300	-1 to 160	-1 to 160

#### □ PERFORMANCE SPECIFICATIONS

Zero-based calibrated span, linear output, wetted parts material code ‘S’ and silicone oil, unless otherwise mentioned.

For Fieldbus and PROFIBUS PA communication types, use calibrated range instead of span in the following specifications.

#### Specification Conformance

EJX series ensures specification conformance to at least  $\pm 3\sigma$ .

#### Reference Accuracy of Calibrated Span (includes the effects of terminal-based linearity, hysteresis, and repeatability)

Measurement span		H
Reference accuracy	X ≤ span	±0.04% of Span
	X > span	±(0.005+0.0049 URL/span)% of Span
X		70 kPa (280 inH <sub>2</sub> O)
URL (upper range limit)		500 kPa (2000 inH <sub>2</sub> O)

Measurement span		A	B
Reference accuracy	X ≤ span	±0.04% of Span	
	X > span	±(0.005+0.0035 URL/span)% of Span	
X		0.35 MPa (50 psi)	1.6 MPa (230 psi)
URL (upper range limit)		3.5 MPa (500 psi)	16 MPa (2300 psi)

#### [When /HAC is specified]

Measurement span		H
Reference accuracy	X ≤ span	±0.025% of Span
	X > span	±(0.005+0.0028 URL/Span) % of Span
X		70 kPa (280 inH <sub>2</sub> O)
URL (Upper Range Limit)		500 kPa (2000 inH <sub>2</sub> O)

Measurement span		A	B
Reference accuracy	X ≤ span	±0.025% of Span	
	X > span	±(0.010+0.0015 URL/Span) % of Span	
X		0.35 MPa (50 psi)	1.6 MPa (230 psi)
URL (Upper Range Limit)		3.5 MPa (500 psi)	16 MPa (2300 psi)

**Ambient Temperature Effects per 28°C (50°F) Change**

Capsule	Effect
H	±(0.04% Span + 0.0125% URL)
A and B	±(0.04% Span + 0.009% URL)

**Stability (All normal operating condition)**

±0.1% of URL per 15 years

**Power Supply Effects(Output signal code D, E and J)**

±0.005 % per Volt (from 21.6 to 32 V DC, 350Ω)

**Vibration Effects**

Amplifier housing code 1 and 3:

Less than 0.1% of URL when tested per the requirements of IEC60770-1 field or pipeline with high vibration level (10-60 Hz, 0.21 mm displacement/60-2000 Hz 3 g)

Amplifier housing code 2:

Less than ±0.1% of URL when tested per the requirements of IEC60770-1 field with general application or pipeline with low vibration level (10-60 Hz 0.15mm displacement /60-500 Hz 2g)

**Mounting Position Effects**

Rotation in diaphragm plane has no effect. Tilting up to 90 degree will cause zero shift up to 0.4 kPa (1.6 inH<sub>2</sub>O) which can be corrected by the zero adjustment.

**Response Time (All capsules) “◇”**

90 ms

150 msec for H capsule with Wetted Parts Material code H, M, T, A, D, B and W.

When software damping is set to zero and including dead time of 45 ms (nominal)

□ **FUNCTIONAL SPECIFICATIONS**

**Output “◇”**

Two wire 4 to 20 mA DC output with digital communications, linear or square root programmable. BRAIN or HART FSK protocol are superimposed on the 4 to 20 mA signal.

Output range: 3.6 mA to 21.6 mA

Output limits conforming to NAMUR NE43 can be pre-set by option code C2 or C3.

**Failure Alarm (Output signal code D, E and J)**

Output status at CPU failure and hardware error;

Up-scale: 110%, 21.6 mA DC or more (standard)

Down-scale: -5%, 3.2 mA DC or less

Analog output status at process abnormality (Option code /DG6);

The result of process abnormality detected by the advanced diagnostic function can be reflected to an analog alert status. The following three setting modes are available.

		Mode		
		Burnout	Fall back	Off
Standard		110%, 21.6mA or more	Holds to a specified value within the output range from 3.6mA to 21.6mA	Normal output
Option Code	/C1	-2.5%, 3.6mA or less		
	/C2	-1.25%, 3.8mA or less		
	/C3	103.1%, 20.5mA or more		

**Damping Time Constant (1st order)**

Amplifier's damping time constant is adjustable from 0.00 to 100.00 s by software and added to response time.

Note: For BRAIN protocol type, when the software damping is set to less than 0.5 s, communication may occasionally be unavailable during the operation, especially while output changes dynamically. The default setting of damping ensures stable communication.

**Update Period “◇”**

Pressure: 45 ms

**Zero Adjustment Limits**

Zero can be fully elevated or suppressed, within the lower and upper range limits of the capsule.

**External Zero Adjustment**

External zero is continuously adjustable with 0.01% incremental resolution of span. Re-range can be done locally using the digital indicator with rangesetting switch.

**Integral Indicator (LCD display) “◇”**

5-digit numerical display, 6-digit unit display and bar graph.

The indicator is configurable to display one or up to three of the following variables periodically; pressure in %, scaled pressure, measured pressure. See also “Factory Setting”.

**Local Parameter Setting (Output signal code D, E, and J)**

Parameter configuration by the external zero adjustment screw and push button (Integral indicator code E) offers easy and quick setup for parameters of Loop test, Tag number, Unit, LRV, URV, Damping, Output mode (linear/square root), Display out 1, and Re-range by applying actual pressure (LRV/URV) and Device Information.

**Burst Pressure Limits**

69 MPa (10,000 psi)

**Self Diagnostics**

CPU failure, hardware failure, configuration error, and over-range error for pressure and capsule temperature.

User-configurable process high/low alarm for pressure is also available, and its status can be output when optional status output is specified.

**Advanced Diagnostics (optional) “◇”**

Applicable for Output signal code E, J and F.

• Impulse line blockage detection

The impulse line condition can be calculated and detected by extracting the fluctuation component from the static pressure signal.

• Heat trace monitoring

The change of the flange temperature calculated by using the two temperature sensors built in the EJX enables to detect the heat trace breakage or the abnormal temperature due to the failure.

**Signal Characterizer (Output signal code D, E and J)**

User-configurable 10-segment signal characterizer for 4 to 20 mA output.

**Status Output (optional, output signal code D, E and J)**

One transistor contact output (sink type) to output the status of user configurable high/low alarm for pressure.

Contact rating : 30 V DC, 120 mA DC max.

Refer to 'Terminal Configuration' and 'Wiring Example for Analog Output and Status Output.'

**SIL Certification**

All the EJX series transmitters except Fieldbus and PROFIBUS PA communication types are certified in compliance with the following standards;

IEC 61508: 2010;

Functional Safety of Electrical/electronic/programmable electronic related systems; SIL 2 capability for single transmitter use, SIL 3 capability for dual transmitter use.

Reliability Data different depending on hardware and software revision.

For details, refer to Functional Safety Data Sheet.

(Document number: TI 01C25A05-01EN or TI 01C25A05-21EN for option code SLT )

The document can be downloaded from the website of Yokogawa.

(Website address: <https://www.yokogawa.com/solutions/products-platforms/field-instruments/>)

- **NORMAL OPERATING CONDITION (Optional features or approval codes may affect limits.)**

**Ambient Temperature Limits**

-40 to 85°C (-40 to 185°F)

-30 to 80°C (-22 to 176°F) with LCD display

**Process Temperature Limits**

-40 to 120°C (-40 to 248°F)

**Ambient Humidity Limits**

0 to 100% RH

**Maximum Over Pressure**

Capsule	Pressure
H and A	16 MPa (2300 psi)
B	25 MPa (3600 psi)*

\*: 24 MPa (3400 psi) for Wetted Parts Material code H, M, T, A, D, B and W.

**Working Pressure Limits (Silicone oil)**

**Maximum Pressure Limits**

Capsule	Pressure
H	500 kPa (2000 inH <sub>2</sub> O)
A	3.5 MPa (500 psi)
B	16 MPa (2300 psi)

**Minimum Pressure Limit**

See graph below

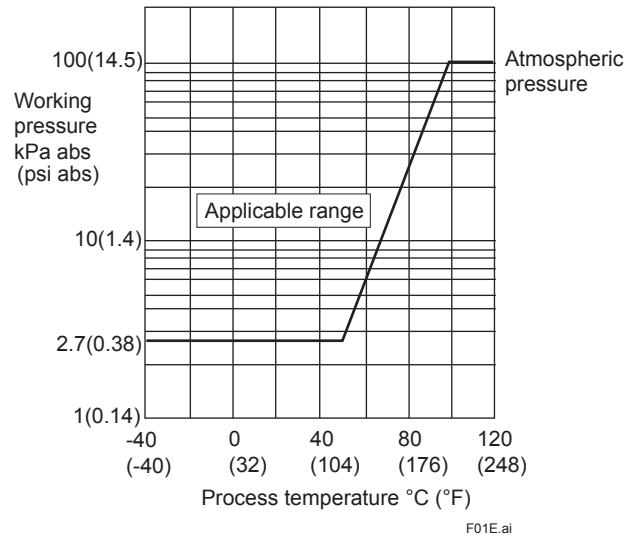


Figure 1. Working Pressure and Process Temperature

**Supply & Load Requirements**

(Output signal code D, E and J. Optional features or approval codes may affect electrical requirements.)

With 24 V DC supply, up to a 550Ω load can be used. See graph below.

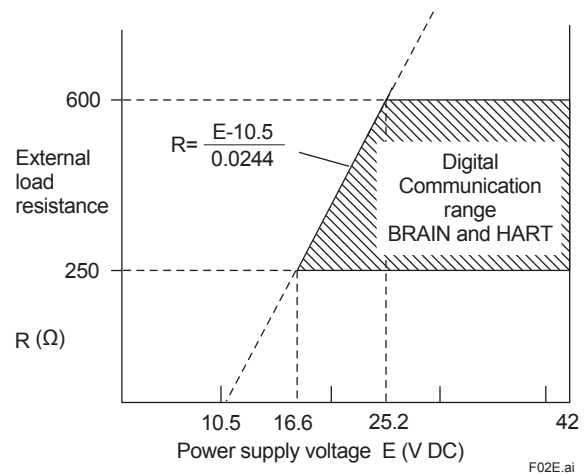


Figure 2. Relationship Between Power Supply Voltage and External Load Resistance

**Supply Voltage “◇”**

- 10.5 to 42 V DC for general use and flameproof type.
- 10.5 to 32 V DC for lightning protector (option code /A.)
- 10.5 to 30 V DC for intrinsically safe, type n, or non-incendive type.
- Minimum voltage limited at 16.6 V DC for digital communications, BRAIN and HART

**Load (Output signal code D, E and J)**

- 0 to 1290Ω for operation
- 250 to 600Ω for digital communication

**Communication Requirements “◇”**

(Approval codes may affect electrical requirements.)

**BRAIN****Communication distance**

Up to 2 km (1.25 miles) when using CEV polyethylene-insulated PVC-sheathed cables. Communication distance varies depending on type of cable used.

**Load capacitance**

0.22 μF or less

**Load inductance**

3.3 mH or less

**Input impedance of communicating device**

10 kΩ or more at 2.4 kHz.

**EMC Conformity Standards**

- EN 61326-1 Class A, Table 2
- EN 61326-2-3
- EN 61326-2-5 (for fieldbus)

**European Pressure Equipment Directive****2014/68/EU**

Sound Engineering Practice

**EU RoHS Directive**

EN IEC 63000

**Safety Requirement Standards**

- EN 61010-1, C22.2 No.61010-1
  - Installation category: I (Anticipated transient overvoltage 330 V)
  - Pollution degree: 2
  - Indoor/Outdoor use

□ **PHYSICAL SPECIFICATIONS****Wetted Parts Materials**

**Diaphragm, cover flange, process connector, capsule gasket, and vent/drain plug**  
Refer to “MODEL AND SUFFIX CODES.”

**Process connector gasket**

PTFE Teflon

Fluorinated rubber for option code N2 and N3

**Non-wetted Parts Materials****Bolting**

B7 carbon steel, 316L SST or 660 SST

**Housing**

- Low copper cast aluminum alloy
- Low copper cast aluminum alloy with corrosion resistance properties (copper content ≤ 0.03%, iron content ≤ 0.15%) (optional)
- ASTM CF-8M Stainless steel (optional)

**Coating of housing**

[for aluminum housing]

Polyester resin powder coating

Mint-green paint (Munsell 5.6BG 3.3/2.9 or its equivalent)

[for option code /P□ or /X2]

Epoxy and polyurethane resin solvent coating

**Degrees of protection**

IP66/IP67, Type 4X

**Cover O-rings**

Buna-N, fluoro-rubber (optional)

**Name plate and tag**

316 SST

**Fill fluid**

Silicone, Fluorinated oil (optional)

**Weight**

[Installation code 7, 8 and 9]

2.8 kg(6.2 lb) for wetted parts material code S and L, without integral indicator, mounting bracket, and process connector.

Add 1.5 kg (3.3lb) for Amplifier housing code 2.

**Connections**

Refer to “MODEL AND SUFFIX CODES.”

Process connection of cover flange: IEC61518

< **Related Instruments**>

FieldMate Versatile Device Management Wizard:  
Refer to GS 01R01A01-01E.

BRAIN TERMINAL: Refer to GS 01C00A11-00E

Power Distributor: Refer to GS 01B04T01-02E or GS 01B04T02-02E

< **Reference** >

1. *DPharp* **EJX** is a registered trademark of Yokogawa Electric Corporation.
  2. FieldMate; Trademark of Yokogawa Electric Corporation.
  3. Teflon; Trademark of E.I. DuPont de Nemours & Co.
  4. Hastelloy; Trademark of Haynes International Inc.
  5. HART®: Registered trademark of the FieldComm Group.
  6. FOUNDATION Fieldbus; Trademark of the FieldComm Group.
  7. PROFIBUS; Registered trademark of Profibus Nutzerorganisation e.v., Karlsruhe, Germany.
- Other company names and product names used in this material are registered trademarks or trademarks of their respective owners.

## MODEL AND SUFFIX CODES

Model	Suffix Codes	Description
<b>EJX430A</b>	.....	Gauge pressure transmitter
Output signal	<b>-D</b> ..... <b>-E</b> ..... <b>-J</b> .....  <b>-F</b> ..... <b>-G</b> .....	4 to 20 mA DC with digital communication (BRAIN protocol) 4 to 20 mA DC with digital communication (HART 5 protocol) 4 to 20 mA DC with digital communication (HART 5 / HART 7 protocol) (Refer to GS 01C25T01-01EN) Digital communication (FOUNDATION Fieldbus protocol, refer to GS 01C25T02-01EN) Digital communication (PROFIBUS PA protocol, refer to GS 01C25T04-01EN)
Measurement span (capsule)	<b>H</b> ..... <b>A</b> ..... <b>B</b> .....	2.5 to 500 kPa (10 to 2000 inH <sub>2</sub> O) 0.0175 to 3.5 MPa (2.5 to 500 psi) 0.08 to 16 MPa (12 to 2300 psi)
Wetted parts material *1	<input type="checkbox"/> .....	Refer to "Wetted Parts Material" Table.
Process connections See the table in the next page for the codes for a diaphragm seal system.	<b>0</b> ..... <b>1</b> ..... <b>2</b> ..... <b>3</b> ..... <b>4</b> ..... <b>5</b> .....	without process connector (Rc1/4 female on the cover flanges) with Rc1/4 female process connector with Rc1/2 female process connector with 1/4 NPT female process connector with 1/2 NPT female process connector without process connector (1/4 NPT female on the cover flanges)
Bolts and nuts material	<b>J</b> ..... <b>G</b> ..... <b>C</b> .....	B7 carbon steel 316L SST 660 SST
Installation	<b>-3</b> ..... <b>-7</b> ..... <b>-8</b> ..... <b>-9</b> ..... <b>-B</b> ..... <b>-U</b> .....	Vertical piping, right side high pressure, and process connection down side Vertical piping, left side high pressure, and process connection down side Horizontal piping and right side high pressure Horizontal piping and left side high pressure Bottom Process Connection, left side high pressure*2 Universal flange*2
Amplifier housing	<b>1</b> ..... <b>3</b> ..... <b>2</b> .....	Cast aluminum alloy Cast aluminum alloy with corrosion resistance properties *3 ASTM CF-8M stainless steel *4
Electrical connection	<b>0</b> ..... <b>2</b> ..... <b>4</b> ..... <b>5</b> ..... <b>7</b> ..... <b>9</b> ..... <b>A</b> ..... <b>C</b> ..... <b>D</b> .....	G1/2 female, one electrical connection without blind plugs 1/2 NPT female, two electrical connections without blind plugs M20 female, two electrical connections without blind plugs G1/2 female, two electrical connections and a blind plug *5 1/2 NPT female, two electrical connections and a blind plug *5 M20 female, two electrical connections and a blind plug *5 G1/2 female, two electrical connections and a 316 SST blind plug 1/2 NPT female, two electrical connections and a 316 SST blind plug M20 female, two electrical connections and a 316 SST blind plug
Integral indicator	<b>D</b> ..... <b>E</b> ..... <b>N</b> .....	Digital indicator *6 Digital indicator with the range setting switch (push button) *7 (None)
Mounting bracket	<b>B</b> ..... <b>D</b> ..... <b>J</b> ..... <b>K</b> ..... <b>M</b> ..... <b>P</b> ..... <b>N</b> .....	304 SST 2-inch pipe mounting, flat type (for horizontal piping) 304 SST 2-inch pipe mounting, L type (for vertical piping) 316 SST 2-inch pipe mounting, flat type (for horizontal piping) 316 SST 2-inch pipe mounting, L type (for vertical piping) 316 SST 2-inch pipe mounting (for bottom process connection type) 316 SST 2-inch pipe mounting, position adjustable L type (for vertical piping)*8 (None)
Optional Codes	<input type="checkbox"/> .....	<input type="checkbox"/> Optional specification

The "►" marks indicate the most typical selection for each specification.

\*1: ⚠ Users must consider the characteristics of selected wetted parts material and the influence of process fluids. The use of inappropriate materials can result in the leakage of corrosive process fluids and cause injury to personnel and/or damage to plant facilities. It is also possible that the diaphragm itself can be damaged and that material from the broken diaphragm and the fill fluid can contaminate the user's process fluids.

Be very careful with highly corrosive process fluids such as hydrochloric acid, sulfuric acid, hydrogen sulfide, sodium hypochlorite, and high-temperature steam (150°C [302°F] or above). Contact Yokogawa for detailed information of the wetted parts material.

\*2: Applicable only for Wetted parts material code S.

\*3: Not applicable for electrical connection code 0, 5, 7, 9 and A. Content rate of copper in the material is 0.03% or less and content rate of iron is 0.15% or less.

\*4: Not applicable for electrical connection code 0, 5, 7 and 9.

\*5: Material of a blind plug; aluminum alloy for code 5 and 9, and SUS304 for code 7.

\*6: Not applicable for output signal code G.

\*7: Not applicable for output signal code F.

\*8: For position adjustable bracket, refer to SD 01C25B14-01EN.

**Table. Wetted Parts Materials**

Wetted parts material code	Cover flange and process connector	Capsule	Capsule gasket	Vent/Drain plug
<b>S #</b>	ASTM CF-8M *1*8	Hastelloy C-276 *2 (Diaphragm) F316L SST, 316L SST (Others)	Teflon-coated 316L SST	316 SST
<b>L #</b>	ASTM CF-3M *7*8	Hastelloy C-276 *2 (Diaphragm) F316L SST, 316L SST (Others)	Teflon-coated 316L SST	316L SST
<b>H #</b>	ASTM CF-8M *1*8	Hastelloy C-276 *2	PTFE Teflon	316 SST
<b>M #</b>	ASTM CF-8M *1*8	Monel	PTFE Teflon	316 SST
<b>T</b>	ASTM CF-8M *1*8	Tantalum	PTFE Teflon	316 SST
<b>A #</b>	Hastelloy C-276 equivalent *3	Hastelloy C-276 *2	PTFE Teflon	Hastelloy C-276 *2
<b>D</b>	Hastelloy C-276 equivalent *3	Tantalum	PTFE Teflon	Hastelloy C-276 *2
<b>B #</b>	Monel equivalent *4	Monel	PTFE Teflon	Monel
<b>W #</b>	Super Duplex SST equivalent *5	Hastelloy C-276 *2	PTFE Teflon	Super Duplex SST *6

- \*1: Cast version of 316 SST. Equivalent to SCS14A.
  - \*2: Hastelloy C-276 or ASTM N10276.
  - \*3: Indicated material is equivalent to ASTM CW-12MW.
  - \*4: Indicated material is equivalent to ASTM M35-2.
  - \*5: Indicated material is equivalent to ASTM A995 Grade5A.
  - \*6: ASTM S32750 or EN 10272 1.4410.
  - \*7: Cast version of 316L SST. Equivalent to SCS16A.
  - \*8: Intergranular corrosion test passed according to ASTM A262 Practice E.
- The '# marks indicate the construction materials conform to NACE material recommendations per MR0175/ISO 15156. Please refer to the latest standards for details. Selected materials also conform to NACE MR0103.

**[Process Connections Code for Diaphragm Seal System]**

The table below shows the codes dedicated for the combination with a diaphragm seal system. They are only available when the transmitter is ordered in combination with a diaphragm seal system. Please also refer to GS 01C25W01-01EN.

Process Connections Code	High Pressure Side	Low Pressure Side
<b>B</b>	With C80F□, C82F□ or C70S□ diaphragm seal	Open to atmosphere
<b>G</b>	With C80F□ or C82F□ diaphragm seal for high vacuum use	Open to atmosphere

C80F□, C82F□, and C70S□ stand for C80FW or C80FE remote mount flanged diaphragm seal, C82FA inner diaphragm adapter connection seal, or C82FD inner diaphragm flanged seal, and C70SW or C70SE remote mount hygienic diaphragm seal respectively.

**OPTIONAL SPECIFICATIONS (For Explosion Protected type) “◇”**

For other agency approvals and marine approvals, please refer to GS 01C25A20-01EN.

Please select appropriate equipment in accordance with the laws and regulations of the relevant country/region, when it is used in a location where explosive atmospheres may be present.

Item	Description	Code
Factory Mutual (FM)	FM Explosionproof Approval <sup>**1</sup> Applicable Standard: FM3600, FM3615, FM3810, NEMA 250, ANSI/UL 61010-1, ANSI/UL 61010-2-30 Explosionproof for Class I, Division 1, Groups B, C and D, Dust-ignitionproof for Class II/III, Division 1, Groups E, F and G, in Hazardous locations, indoors and outdoors (Enclosure: Type 4X) “FACTORY SEALED, CONDUIT SEAL NOT REQUIRED.” Temperature class: T6, Amb. Temp.: -40 to 60°C (-40 to 140°F)	FF1
	FM Intrinsically safe Approval <sup>**2</sup> Applicable Standard: FM 3600, FM 3610, FM 3611, FM 3810, ANSI/ISA-60079-0, ANSI/ISA-60079-11, ANSI/ISA-61010-1, NEMA 250 Intrinsically Safe for Class I, Division 1, Groups A, B, C & D, Class II, Division 1, Groups E, F & G and Class III, Division 1, Class I, Zone 0, in Hazardous Locations, AEx ia IIC Nonincendive for Class I, Division 2, Groups A, B, C & D, Class II, Division. 2, Groups F & G, Class I, Zone 2, Group IIC, in Hazardous Locations Enclosure: Type 4X, Temp. Class: T4, Amb. Temp.: -60 to 60°C (-75 to 140°F) Intrinsically Safe Apparatus Parameters [Groups A, B, C, D, E, F and G] Vmax=30 V, Imax=200 mA, Pmax=1 W, Ci=6 nF, Li=0 µH [Groups C, D, E, F and G] Vmax=30 V, Imax=225 mA, Pmax=1 W, Ci=6 nF, Li=0 µH	FS1
	Combined FF1 and FS1 <sup>**2</sup>	FU1
ATEX	ATEX Flameproof Approval <sup>**1</sup> Applicable Standard: EN IEC 60079-0, EN 60079-1, EN 60079-31 Certificate: KEMA 07ATEX0109 X II 2 G Ex db IIC T6..T4 Gb, II 2 D Ex tb IIIC T85°C Db Degree of protection: IP66/IP67 Amb. Temp. (Tamb) for gas-proof : T4; -50 to 75°C (-58 to 167°F), T5; -50 to 80°C (-58 to 176°F), T6; -50 to 75°C (-58 to 167°F) Process Temp. for gas-proof (Tp): T4; -50 to 120°C (-58 to 248°F), T5; -50 to 100°C (-58 to 212°F), T6; -50 to 85°C (-58 to 185°F) Max. surface Temp. for dust-proof: T85°C (Tamb: -30 to 75°C, Tp: -30 to 85°C) <sup>**3</sup>	KF22
	ATEX Intrinsically safe Approval <sup>**2</sup> Applicable Standard: EN IEC 60079-0, EN 60079-11 Certificate: DEKRA 11ATEX0228 X II 1 G Ex ia IIC T4 Ga, II 2 D Ex ia IIIC T85°C T100°C T120°C Db Degree of protection: IP66/IP67 Amb. Temp. (Tamb) for EPL Ga: -50 to 60°C (-58 to 140°F) Maximum Process Temp. (Tp) for EPL Ga: 120°C Electrical data: Ui=30 V, li=200 mA, Pi=0.9 W, Ci=27.6 nF, Li=0 µH Amb. Temp. for EPL Db: -30 to 60°C <sup>**3</sup> Max. surface Temp. for EPL Db: T85°C (Tp: 80°C), T100°C (Tp: 100°C), T120°C (Tp: 120°C)	KS21
	Multiple types of protection (KF22, KS21 or Intrinsically safe Ex ic) <sup>**2</sup> Applicable Standard: EN IEC 60079-0, EN 60079-11 II 3 G Ex ic IIC T4 Gc, Amb. Temp.: -30 to 60°C (-22 to 140°F) <sup>**3</sup> Ui=30 V, Ci=27.6 nF, Li=0 µH	KU22

Item	Description	Code
<p>Canadian Standards Association (CSA)</p>	<p>CSA Explosionproof Approval *1                      Certificate: 2014354                      Applicable Standard: C22.2 No. 25, C22.2 No. 30, C22.2 No. 94.2, C22.2 No.213                      CAN/CSA-C22.2 No. 61010-1, CAN/CSA-C22.2 No. 61010-2-030, CAN/CSA-C22.2 No. 60079-0                      CAN/CSA-C22.2 No. 60079-1, CAN/CSA-C22.2 No. 60529, ANSI/UL 122701                      [For Explosion-proof]                      Class I, Groups B, C and D.                      Temperature Code: T6...T4                      Process Temp.: T4; -50 to 120°C (-58 to 248°F), T5; -50 to 100°C (-58 to 212°F), T6; -50 to 85°C (-58 to 185°F)                      Amb.Temp.: T4; -50 to 75°C (-58 to 167°F), T5; -50 to 80°C (-58 to 176°F), T6; -50 to 75°C (-58 to 167°F)                      Enclosure: Type 4X                      [For Flameproof]                      Ex d IIC T6...T4                      Process Temp.: T4; -50 to 120°C (-58 to 248°F), T5; -50 to 100°C (-58 to 212°F), T6; -50 to 85°C (-58 to 185°F)                      Amb.Temp.: T4; -50 to 75°C (-58 to 167°F), T5; -50 to 80°C (-58 to 176°F), T6; -50 to 75°C (-58 to 167°F)                      Enclosure: IP66/IP67                      [For Dustignition-proof]                      Class II/III, Groups E, F and G.                      Temp. Code: T85°C                      T85°C (Tamb: -30* to 75°C, Tp: -30* to 85°C) *-15 °C (When fluorinated rubber O-ring is specified)                      Enclosure: Type 4X                      Process seal:                      Dual Seal with Annunciation                      No additional sealing required                      Primary seal failure annunciation: at the zero-adjustment screw.</p>	<p><b>CF1</b></p>
	<p>CSA Intrinsically safe Approval *1*2                      Certificate: 1606623                      [For Division System]                      Applicable Standard: CAN/CSA C22.2 No.0, CSA C22.2 No.94.2, CSA C22.2 No.213,                      CAN/CSA C22.2 No.61010-1, CAN/CSA C22.2 No.61010-2-030                      Intrinsically Safe for Class I, Division 1, Groups A, B, C &amp; D, Class II, Division 1, Groups E, F &amp; G,                      Class III, Division 1, Nonincendive for Class I, Division 2, Groups A, B, C &amp; D, Class II, Division 2,                      Groups F &amp; G, Class III, Division 1                      Enclosure: Type 4X, Temp. Code: T4 Amb. Temp.: -50 to 60°C(-58 to 140°F) *3                      Electrical Parameters: [Intrinsically Safe] Vmax=30V, Imax=200mA, Pmax=0.9W, Ci=10nF, Li=0 μH                      [Nonincendive] Vmax=30V, Ci=10nF, Li=0 μH                      [For Zone System]                      Applicable Standard: CAN/CSA C22.2 No.60079-0, CAN/CSA C22.2 No.60079-11,                      CAN/CSA E60079-15, CAN/CSA C22.2 No.60529                      Ex ia IIC T4, Ex nL IIC T4 Enclosure: IP66/IP67                      Amb. Temp.: -50 to 60°C(-58 to 140°F) *3, Max. Process Temp.: 120°C(248°F)                      Electrical Parameters: [Ex ia] Ui=30V, Ii=200mA, Pi=0.9W, Ci=10nF, Li=0 μH                      [Ex nL] Ui=30V, Ci=10nF, Li=0 μH                      Process Sealing Certification                      Dual Seal Certified by CSA to the requirement of ANSI/ISA-12.27.01                      No additional sealing required                      Primary seal failure annunciation: at the zero adjustment screw</p>	<p><b>CS1</b></p>
	<p>Combined CF1 and CS1 *1*2</p>	<p><b>CU1</b></p>

Item	Description	Code
IECEx Scheme	<p>IECEx Flameproof Approval *1            Applicable Standard: IEC 60079-0, IEC 60079-1, IEC 60079-31            Certificate: IECEx DEK 14.0046X            Enclosure: IP66/IP67            Ex db IIC T6...T4 Gb, Ex tb IIIC T85°C Db            Amb. Temp. (Tamb) for gas-proof :              T4; -50 to 75°C (-58 to 167°F), T5; -50 to 80°C (-58 to 176°F), T6; -50 to 75°C (-58 to 167°F)            Process Temp. for gas-proof (Tp):              T4; -50 to 120°C (-58 to 248°F), T5; -50 to 100°C (-58 to 212°F),              T6; -50 to 85°C (-58 to 185°F)            Max. surface Temp. for dust-proof: T85°C (Tamb: -30 to 75°C, Tp: -30 to 85°C) *3</p>	SF22
	<p>IECEx Intrinsically safe and SF22 *1*2            Intrinsically safe Ex ia            Certificate: IECEx DEK 11.0081X            Applicable Standard: IEC 60079-0, IEC 60079-11            Ex ia IIC T4 Ga Enclosure: IP66/IP67            Amb. Temp.: -50 to 60°C(-58 to 140°F), Max. Process Temp.: 120°C(248°F)            Electrical Parameters: Ui=30V, Ii=200mA, Pi=0.9W, Ci=27.6nF, Li=0 μH</p> <p>Intrinsically safe Ex ic            Certificate: IECEx DEK 13.0061X            Applicable Standard: IEC 60079-0, IEC 60079-11            Ex ic IIC T4 Gc IP code: IP66            Amb. Temp.: -30 to 60°C(-22 to 140°F) *3, Max. Process Temp.: 120°C(248°F)            Electrical Parameters: Ui=30V,Ci=27.6 nF, Li=0 μH</p> <p>Flameproof            Refer to SF22</p>	SU22
Combination of Approval	Combination of KU22, FU1 and CU1 *1*2*4	V1U1

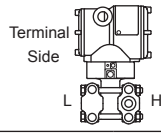
\*1: Applicable for Electrical connection code 2, 4, 7, 9, C and D.

\*2: Not applicable for option code /AL.

\*3: Lower limit of temperature is -15°C (5°F) when /HE is specified.

\*4: When this option code is specified, a wired tag plate (as of N4 option) shall be used for tag number.

**OPTIONAL SPECIFICATIONS**

Item		Description	Code	
High Accuracy type*23*29		Reference accuracy: ±0.025% of Span	<b>HAC</b>	
Painting	Color change	Amplifier cover only*9	<b>P□</b>	
		Amplifier cover and terminal cover, Munsell 7.5 R4/14	<b>PR</b>	
	Coating change	Anti-corrosion coating*1	<b>X2</b>	
316 SST exterior parts		316 SST zero-adjustment screw and setscrews*10	<b>HC</b>	
Fluoro-rubber O-ring		All O-rings of amplifier housing. Lower limit of ambient temperature: -15°C (5°F)	<b>HE</b>	
Lightning protector		Transmitter power supply voltage: 10.5 to 32 V DC ( 10.5 to 30 V DC for intrinsically safe type, 9 to 32 V DC for Fieldbus communication type.) Allowable current: Max. 6000 A ( 1×40 μs ), Repeating 1000 A ( 1×40 μs ) 100 times Applicable Standards: IEC 61000-4-4, IEC 61000-4-5	<b>A</b>	
Status output*2		Transistor output (sink type) Contact rating: 30 V DC, 120 mA DC(max ) Low level: 0 to 2 V DC	<b>AL</b>	
Oil-prohibited use*3*29		Degrease cleansing treatment	<b>K1</b>	
		Degrease cleansing treatment and fluorinated oilfilled capsule. Operating temperature -20 to 80°C (-4 to 176°F)	<b>K2</b>	
		Degrease cleansing treatment	With certificates	<b>K41</b>
		Degrease cleansing treatment and fluorinated oilfilled capsule. Operating temperature -20 to 80°C (-4 to 176°F)		<b>K42</b>
Oil-prohibited use with dehydrating treatment*3*29		Degrease cleansing and dehydrating treatment	<b>K5</b>	
		Degrease cleansing and dehydrating treatment with fluorinated oilfilled capsule. Operating temperature -20 to 80°C (-4 to 176°F)	<b>K6</b>	
		Degrease cleansing and dehydrating treatment	With certificates	<b>K45</b>
		Degrease cleansing and dehydrating treatment with fluorinated oilfilled capsule. Operating temperature -20 to 80°C (-4 to 176°F)		<b>K46</b>
Capsule fill fluid*29		Fluorinated oil filled in capsule Operating temperature -20 to 80°C (-4 to 176°F)	<b>K3</b>	
Calibration units*4		P calibration (psi unit)	(See Table for Span and Range Limits.)	<b>D1</b>
		bar calibration (bar unit)		<b>D3</b>
		M calibration (kgf/cm <sup>2</sup> unit)		<b>D4</b>
Plug option*24*25*29		Long vent*5: Total length: 119 mm (standard: 34 mm); Total length when combining with optional code K1, K2, K5, and K6: 130 mm. Material: 316 SST U1.	<b>U1</b>	
		Without vent and drain plugs	<b>UN</b>	
Gold-plated capsule gasket*11*29		Gold-plated 316L SST capsule gasket. Without drain and vent plugs.	<b>GS</b>	
Gold-plated diaphragm*12*29		Surface of isolating diaphragms are gold plated, effective for hydrogen permeation.	Gold plate thickness: 3 μm	<b>A1</b>
			Gold plate thickness: 10 μm	<b>A2</b>
Output limits and failure operation*6		Failure alarm down-scale : Output status at CPU failure and hardware error is -5%, 3.2mA DC or less.		<b>C1</b>
		NAMUR NE43 Compliant Output signal limits: 3.8 mA to 20.5 mA	Failure alarm down-scale: Output status at CPU failure and hardware error is -5%, 3.2 mA DC or less.	<b>C2</b>
			Failure alarm up-scale: Output status at CPU failure and hardware error is 110%, 21.6 mA or more.	<b>C3</b>
Body option*7*29 		Right side high pressure, without drain and vent plugs		<b>N1</b>
		N1 and Process connection, based on IEC61518 with female thread on both sides of cover flange, with blind kidney flanges on back		<b>N2</b>
		N2, and Material certificate for cover flange, diaphragm, capsule body, and blind kidney flange		<b>N3</b>
Wired tag plate		316 SST tag plate wired onto transmitter		<b>N4</b>
Data configuration at factory*8		Data configuration for HART communication type	Software damping, Descriptor, Message	<b>CA</b>
		Data configuration for BRAIN communication type	Software damping	<b>CB</b>
		Data configuration for HART communication type	Software damping, Descriptor, Message, External zero adjustment prohibition setting	<b>CJ</b>
		Data configuration for BRAIN communication type	Software damping, External zero adjustment prohibition setting	<b>CK</b>
Advanced diagnostics*13		Multi-sensing process monitoring • Impulse line blockage detection *14 • Heat trace monitoring		<b>DG6</b>

Material certificate*15*29	Cover flange *16		<b>M01</b>
	Cover flange, Process connector *17		<b>M11</b>
	Cover flange, Diaphragm, Capsule body*16*30		<b>MA1</b>
	Cover flange, Process connector, Diaphragm, Capsule body*17*27		<b>MC1</b>
	Cover flange, Bolt and Nut for cover flange, Diaphragm, Capsule body, Vent and Drain plugs, Vent screw, Capsule gasket*16*24*26		<b>MG1</b>
	Cover flange, Process connector, Bolt and nut for cover flange, Bolt for process connector, Diaphragm, Capsule body, Vent and Drain plug, Vent screw, Capsule gasket*17*24*26		<b>MH1</b>
Calibration certificate	Text, Traceability		<b>L4</b>
	Text, Traceability, Primary standards list		<b>L5</b>
	Text, Traceability, Primary standards list, Calibration equipment list		<b>L6</b>
	Text, Traceability, Primary standards list, Calibration equipment list, Calibration equipment certificate		<b>L9</b>
Pressure test/ Leak test certificate*22*29	Test Pressure: 500 kPa (2000 inH <sub>2</sub> O)*18	Nitrogen Gas*21 Retention time: one minute	<b>T11</b>
	Test Pressure: 3.5 MPa (500 psi)*19		<b>T01</b>
	Test Pressure: 16 MPa (2300 psi)*20		<b>T12</b>
Parameter list*31	List of setting and adjustment parameters		<b>YP</b>
Bug screen*32	A bug screen is installed to the hole open to the atmosphere on the low pressure side cover flange		<b>BS</b>
Additional blind plug*33	Additional blind plug is attached to the conduit connection on both sides for storing transmitter		<b>PP</b>

- \*1: Not applicable with color change option.
- \*2: When this option code is specified, check terminals are not available. Not applicable for output signal code F and G.
- \*3: Applicable for wetted parts material code S, M, H and T.
- \*4: The unit of MWP (Max. working pressure) on the name plate of a housing is the same unit as specified by option codes D1, D3, and D4.
- \*5: Applicable for vertical impulse piping type (installation code 3 or 7) and wetted parts material code S, M, H and T.
- \*6: Applicable for output signal codes D, E and J. The hardware error indicates faulty amplifier or capsule.
- \*7: Applicable for wetted parts material code S, M, H and T.; process connection codes 3, 4, and 5; installation code 9; and mounting bracket code N. Process connection faces on the other side of zero adjustment screw.
- \*8: Also see 'Ordering Information'.
- \*9: Not applicable for amplifier housing code 2 and 3.
- \*10: 316 or 316L SST. The specification is included in amplifier code 2.
- \*11: Applicable for wetted parts material code S; process connection code 0 and 5; and installation code 8 and 9. Not applicable for option code U1, N2, N3 and M11. No PTFE is used for wetted parts.
- \*12: Applicable for wetted parts material code S or L. /A2 is not applicable with FM approval.
- \*13: Applicable only for output signal code E and J.
- \*14: The change of pressure fluctuation is monitored and then detects the impulse line blockage. See TI 01C25A31-01E for detailed technical information required for using this function.
- \*15: Material traceability certification, per EN 10204 3.1B.
- \*16: Applicable for process connections code 0 and 5.
- \*17: Applicable for process connections code 1, 2, 3, and 4.
- \*18: Applicable for capsule code H.
- \*19: Applicable for capsule code A.
- \*20: Applicable for capsule code B.
- \*21: Dry nitrogen gas is used for oil-prohibited use (option codes K1, K2, K5, K6, K41, K42, K45, and K46).
- \*22: The unit on the certificate is always Pa unit regardless of selection of option code D1, D3 or D4.
- \*23: Refer to "PERFORMANCE SPECIFICATIONS." Applicable for wetted parts material code S or L. Not applicable for option code /A1, /A2, /K2, /K3, /K6, /K42 and /K46.
- \*24: Not applicable with plug option code UN.
- \*25: Not applicable for installation code -U.
- \*26: Not applicable with option code N1, N2, N3 and GS.
- \*27: Applicable for option code UN and N1.
- \*28: (Not used)
- \*29: Not applicable with process connections code for diaphragm seal system B and G.
- \*30: Applicable for option code UN, N1, and GS.
- \*31: Applicable only for output signal code D, E and J.
- \*32: Applicable for process connection codes 0, 1, 2, 3, 4, 5, C, D, Q, and R.
- \*33: Not applicable for electrical connection codes 0, 2, and 4.

## ■ OPTIONAL SPECIFICATIONS (FOR DIAPHRAGM SEAL SYSTEM)

The table below shows the code dedicated for the combination with a diaphragm seal system. It is only available when the transmitter is ordered in combination with a diaphragm seal system. Please also refer to GS 01C25W01-01EN

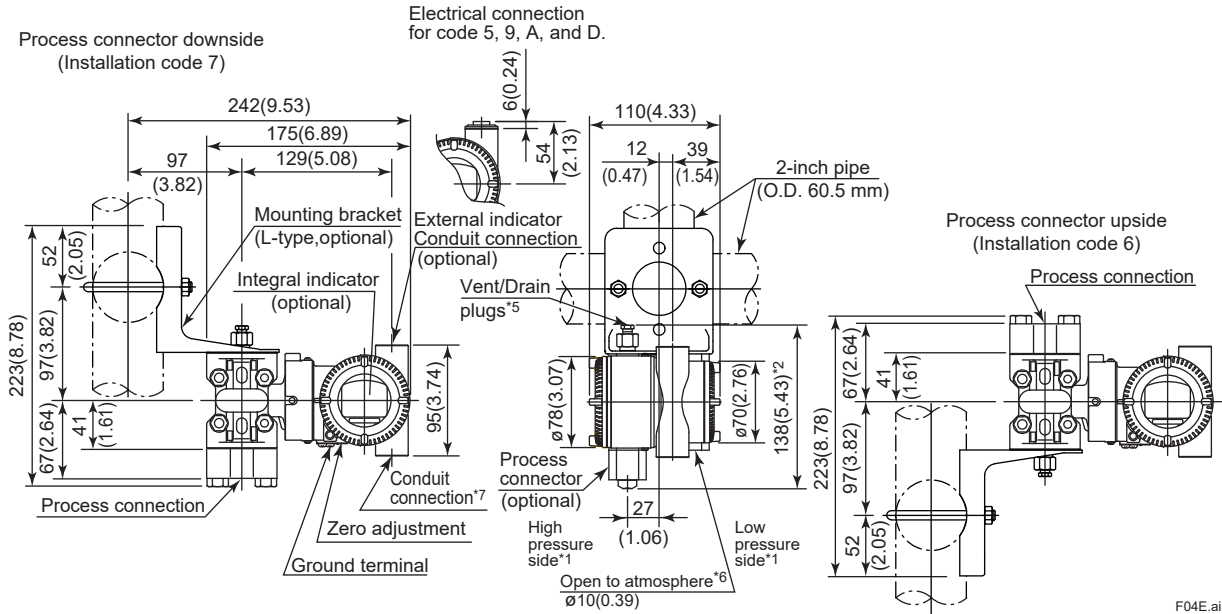
Item	Descriptions	Code
<b>Capsule fill fluid</b>	Fluorinated oil filled in capsule Operating temperature -20 to 80°C (-4 to 176°F)	<b>K13</b>
<b>Material certificate</b>	Bolt and nut for cover flange	<b>M51</b>

**■ DIMENSIONS**

Unit: mm (approx.inch)

● **Vertical Impulse Piping Type**

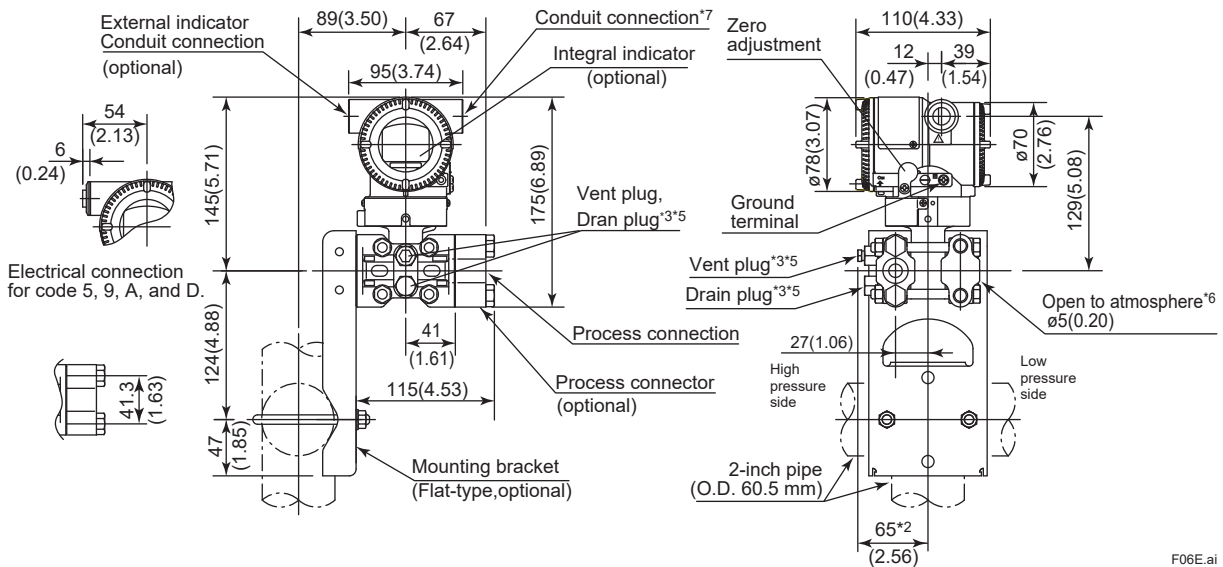
Wetted Parts Material Code: S, L



F04E.ai

● **Horizontal Impulse Piping Type (Installation code 9)**

Wetted Parts Material Code: S, L



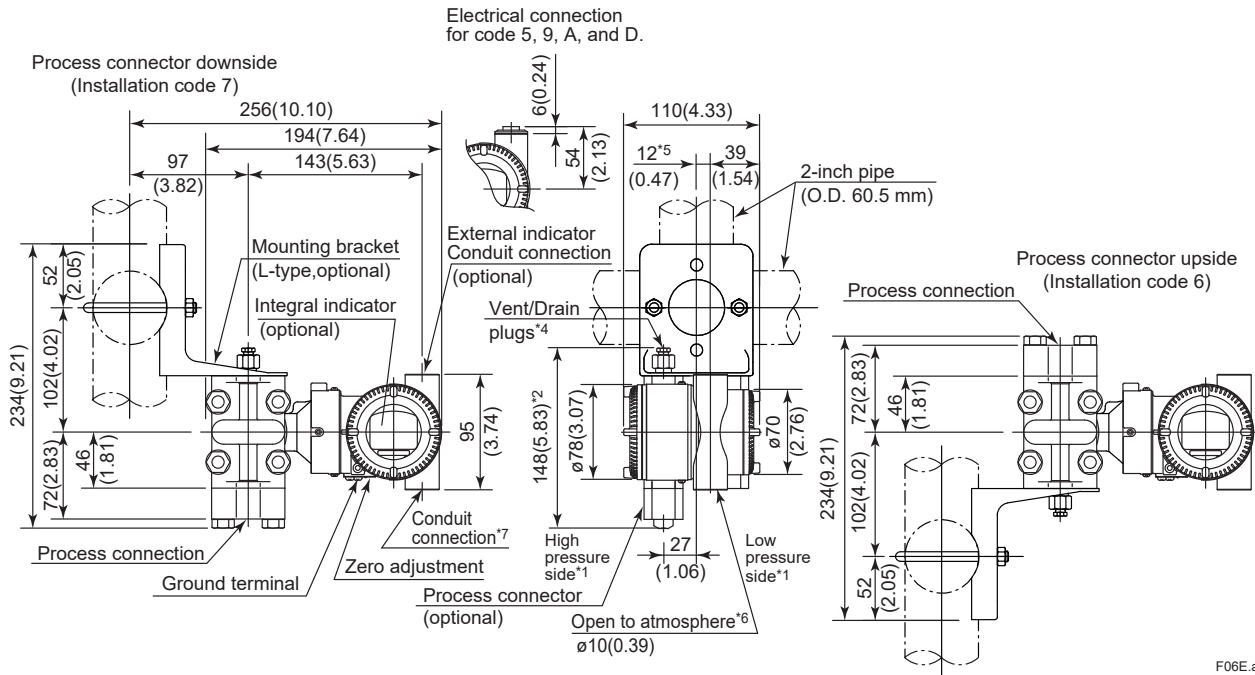
F06E.ai

- \*1: When Installation code 2, 3, or 8 is selected, high and low pressure side on the above figure are reversed. (i.e. High pressure side is on the right side.)
- \*2: When option code K1, K2, K5, K6, K41, K42, K45, or K46 is selected, add 15 mm(0.59 inch) to the value in the figure.
- \*3: Not available when option code GS is specified.
- \*4: When electrical connection code 7 or C is selected, a blind plug is protruded up to 8 mm (0.31 inch) from the conduit connection.
- \*5: When option code UN is specified, Vent/Drain holes and plugs are not applicable.
- \*6: When option code BS is selected, the hole open to atmosphere on the cover flange of low pressure side is threaded and a bug screen is attached in it.
- \*7: When option code PP is selected, a blind plug is attached to the conduit connection on both sides.

Unit: mm (approx.inch)

● Vertical Impulse Piping Type

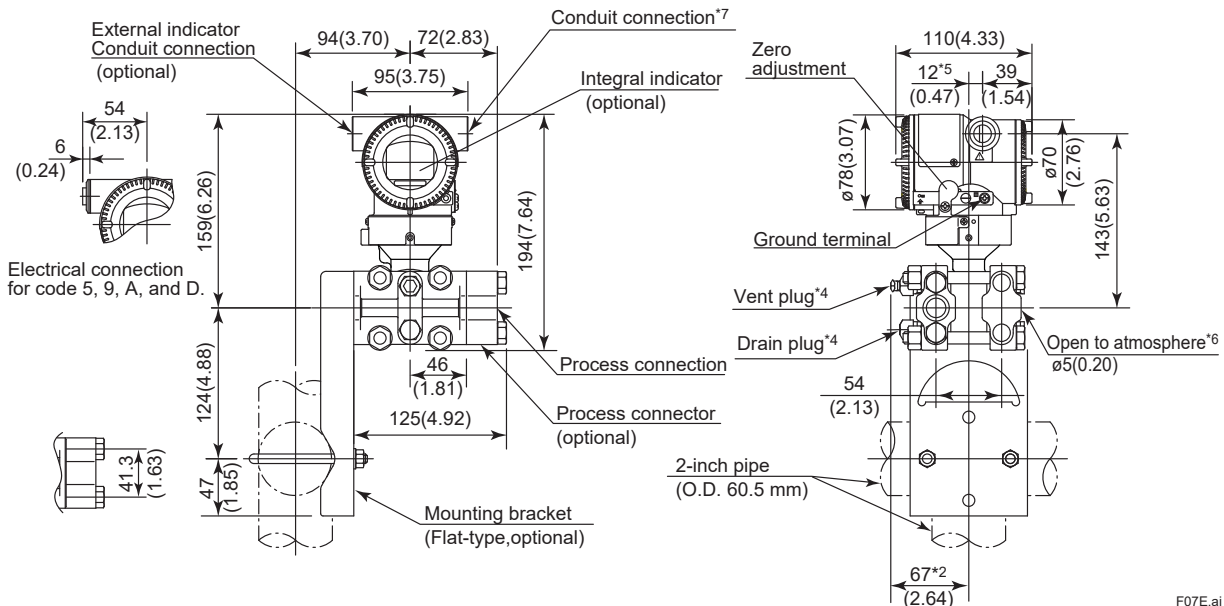
Wetted Parts Material Code: H, M, T, A, B, D, W



F06E.ai

● Horizontal Impulse Piping Type (Installation code 9)

Wetted Parts Material Code: H, M, T, A, B, D, W

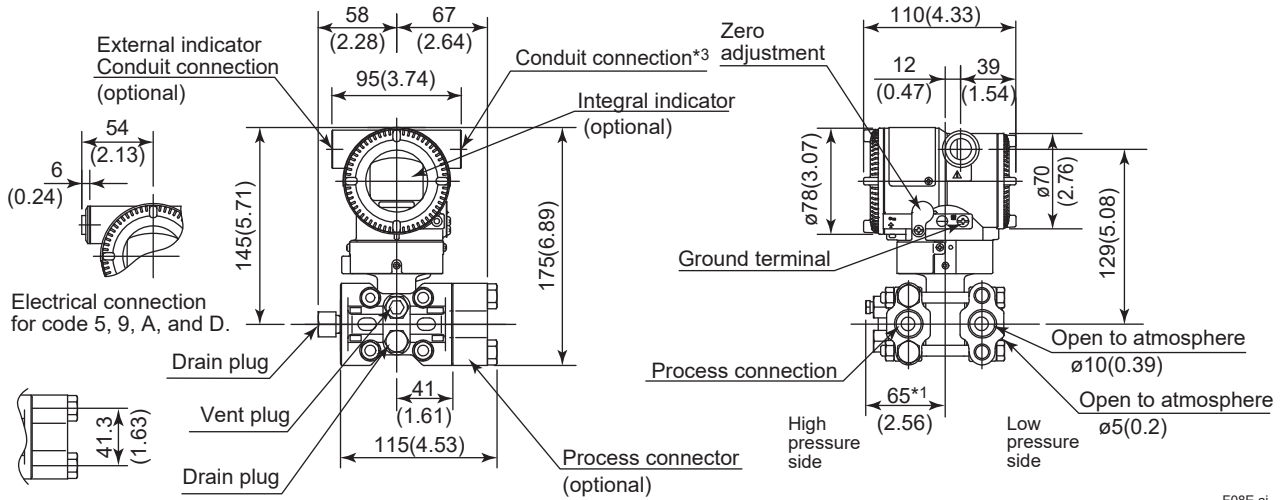


F07E.ai

- \*1: When Installation code 2, 3, or 8 is selected, high and low pressure side on the above figure are reversed. (i.e. High pressure side is on the right side.)
- \*2: When Option code K1, K2, K5, K6, K41, K42, K45, or K46 is selected, add 15 mm(0.59 inch) to the value in the figure.
- \*3: When electrical connection code 7 or C is selected, a blind plug is protruded up to 8 mm (0.31 inch) from the conduit connection.
- \*4: When option code UN is specified, Vent/Drain holes and plugs are not applicable.
- \*5: When measurement span code H is selected, 9 mm(0.35 inch) for installation code 6, 7 and 9, or 15 mm(0.59 inch) for installation code 2, 3 and 8.
- \*6: When option code BS is selected, The hole open to atmosphere on the cover flange of low pressure side is threaded and a bug screen is attached in it.
- \*7: When option code PP is selected, a blind plug is attached to the conduit connection on both sides.

Unit: mm (approx.inch)

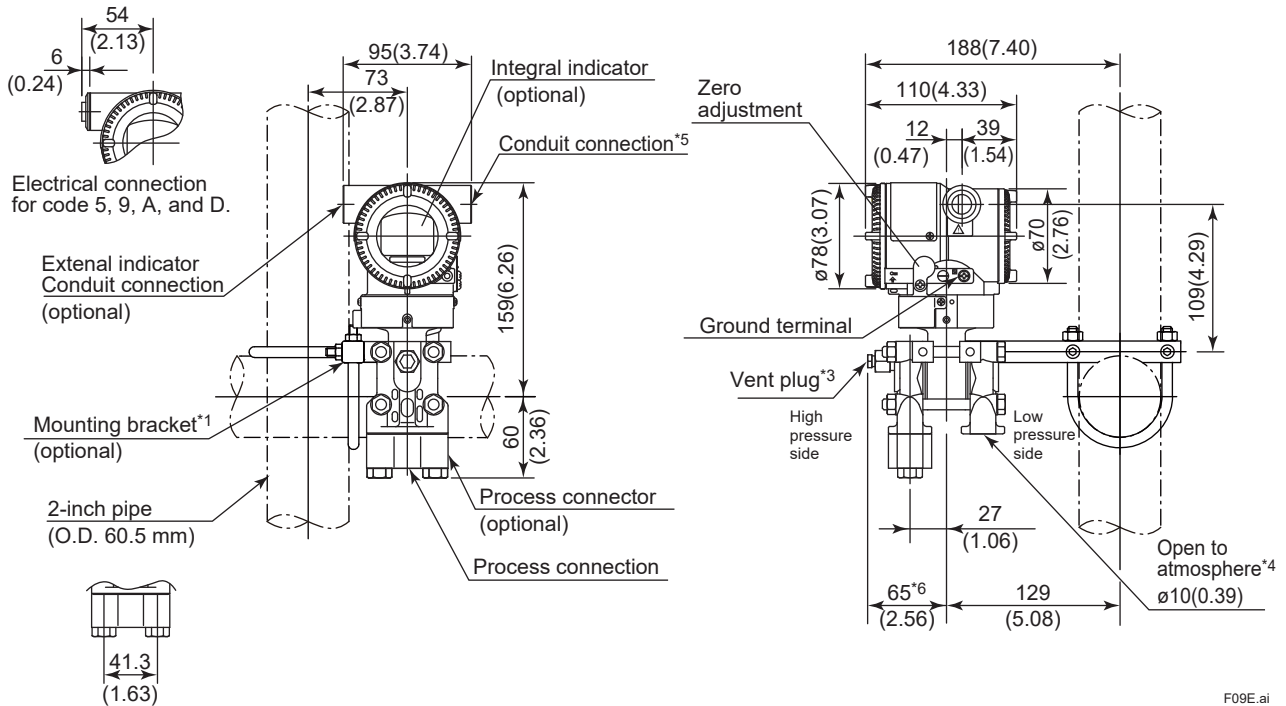
• **Universal Flange (Installation code U)**



F08E.ai

- \*1: When Option code K1, K2, K5, K6, K41, K42, K45, or K46 is selected, add 15 mm(0.59 inch) to the value.
- \*2: When electrical connection code 7 or C is selected, a blind plug is protruded up to 8 mm (0.31 inch) from the conduit connection.
- \*3: When option code PP is selected, a blind plug is attached to the conduit connection on both sides.

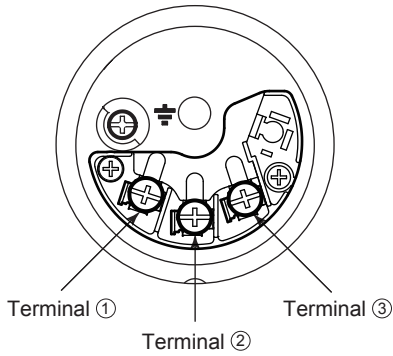
• **Bottom Process Connection (Installation code B)**



F09E.ai

- \*1: A transmitter with SST housing is not applicable for mounting to horizontal 2-inch pipe.
- \*2: When electrical connection code 7 or C is selected, a blind plug is protruded up to 8 mm (0.31 inch) from the conduit connection.
- \*3: When option code UN is specified, Vent holes and plugs are not applicable.
- \*4: When option code BS is selected, The hole open to atmosphere on the cover flange of low pressure side is threaded and a bug screen is attached in it.
- \*5: When option code PP is selected, a blind plug is attached to the conduit connection on both sides.
- \*6: When option code K1, K2, K5, K6, K41, K42, K45, or K46 is selected, add 15 mm(0.59 inch) to the value in the figure.

• Terminal Configuration



• Terminal Wiring

SUPPLY	+	①	Power supply and output terminals
	-	②	
CHECK	+	③	External indicator (ammeter) terminals <sup>*1,2</sup> or
or	-	②	
ALARM	+	③	Status contact output terminals <sup>*2</sup> (when /AL is specified)
	-	②	
			⏏ Ground terminal

\*1: When using an external indicator or check meter, the internal resistance must be 10 Ω or less. A check meter or indicator cannot be connected when /AL option is specified.

\*2: Not available for FOUNDATION Fieldbus and PROFIBUS PA communication types.

F10E.ai

• Wiring Example for Analog Output and Status Output

Connection	Description
Analog output	<p>EJX electrical terminal</p> <p>*1: Either A or +</p>
Analog and status output (when /AL is specified)  If shield cable is not used, communication is not possible.	<p>EJX electrical terminal</p> <p>*1: Either A or +</p> <p>Use two-wire separately shielded cables.</p>

F11E.ai

**< Ordering Information > “◇”**

Specify the following when ordering

For output signal code **-J**, refer to GS 01C25T01-01EN.

1. Model, suffix codes, and option codes
2. Calibration range and units
  - 1) Calibration range can be specified with range value specifications up to 5 digits (excluding any decimal point) for low or high range limits within the range of -32000 to 32000. When reverse range is designated, specify Lower Range Value(LRV) as greater than Upper Range Value(URV.)
  - 2) Specify only one unit from the table, 'Factory Settings' when shipped.'
3. Display scale and units (for transmitters equipped with integral indicator only)
 

Specify either 0 to 100 % or engineering unit scale and 'Range and Unit' for engineering units scale: Scale range can be specified with range limit specifications up to 5 digits (excluding any decimal point) for low or high range limits within the range of -32000 to 32000. The unit display consists of 6-digit, therefore, if the specified unit is longer than 7 characters excluding '/', the first 6 characters will be displayed on the unit display.
4. Tag Number (if required)
 

Specified characters (up to 16 characters for BRAIN, 22 characters for HART, or 16 characters for /N4 tag) are engraved on the stainless steel tag plate fixed on the housing.
5. SOFTWARE TAG (for HART only. If required)
 

Specified characters (up to 32 characters) are set as "Tag" (the first 8 characters) and "Long tag"<sup>\*1</sup> (32 characters) in the amplifier memory. Use alphanumeric capital letters. When the "SOFTWARE TAG" is not specified, specified "TAG NO" is set as "Tag" (the first 8 characters) and "Long tag"<sup>\*1</sup> (22 characters) in the amplifier memory.

<sup>\*1</sup>: applicable only when HART 7 is selected.
6. Other factory configurations (if required) Specifying option code **/CA**, **/CB**, **/CJ** or **/CK** will allow further configuration at factory. Following are configurable items and setting range.
 

[/CA, /CJ : For HART communication type]

  - 1) Descriptor (up to 16 characters)
  - 2) Message (up to 30 characters)
  - 3) Software damping in second (0.00 to 100.00)

[/CB, /CK : For BRAIN communication type]

  - 1) Software damping in second (0.00 to 100.00)

**< Factory Setting > “◇”**

Tag number	As specified in order
Software damping <sup>*1</sup>	'2.00 s' or as specified in order
Calibration range lower range value	As specified in order
Calibration range upper range value	As specified in order
Calibration range units	Selected from mmH <sub>2</sub> O, mmH <sub>2</sub> O(68°F), mmAq <sup>*2</sup> , mmWG <sup>*2</sup> , mmHg, Pa, hPa <sup>*2</sup> , kPa, MPa, mbar, bar, gf/cm <sup>2</sup> , kgf/cm <sup>2</sup> , inH <sub>2</sub> O, inH <sub>2</sub> O(68°F), inHg, ftH <sub>2</sub> O, ftH <sub>2</sub> O(68°F) or psi. (Only one unit can be specified)
Display setting	Designated value specified in order. (% , or user scaled value.)

- <sup>\*1</sup>: To specify this item at factory, option code **/CA**, **/CB**, **/CJ** or **/CK** is required.
- <sup>\*2</sup>: Not available for HART protocol type.

**< Material Cross Reference >**

ASTM	JIS
316	SUS316
F316	SUSF316
316L	SUS316L
F316L	SUSF316L
304	SUS304
F304	SUSF304
660	SUH660
B7	SNB7
CF-8M	SCS14A

**<Information on EU WEEE Directive>**

EU WEEE (Waste Electrical and Electronic Equipment) Directive is only valid in the EU.

This instrument is intended to be sold and used only as a part of equipment which is excluded from WEEE Directive, such as large-scale stationary industrial tools, a large-scale fixed installation and so on, and, therefore, subjected to the exclusion from the scope of the WEEE Directive. The instrument should be disposed of in accordance with local and national legislation/regulations.