

General Specifications

EJA310E Absolute Pressure Transmitter



GS 01C31D01-01EN

[Style: S2]

The high performance absolute pressure transmitter EJA310E features single crystal silicon resonant sensor and is suitable to measure liquid, gas, or steam pressure. The EJA310E outputs a 4 to 20 mA DC signal corresponding to the measured pressure. It also features quick response, remote setup and monitoring via BRAIN or HART communications and self-diagnostics.

FOUNDATION Fieldbus, PROFIBUS PA and 1 to 5 V DC with HART (Low Power) protocol types are also available. EJA-E series models in their standard configuration, with the exception of the Fieldbus, PROFIBUS and Low Power types, are certified as complying with SIL 2 for safety requirement.

■ STANDARD SPECIFICATIONS

Refer to GS 01C31T02-01EN for Fieldbus communication type and GS 01C31T04-01EN for PROFIBUS PA communication type for the items marked with “∅.”

□ SPAN AND RANGE LIMITS

| Measurement Span/Range | kPa abs | psi abs (D1) | mbar abs (D3) | mmHg abs (D4) | |
|------------------------|---------|-----------------|------------------|----------------|--------------------------------|
| L | Span | 0.67 to 10 | 0.2 to 2.95 inHg | 6.7 to 100 | 5 to 75 |
| | Range | 0 to 10 | 0 to 2.95 inHg | 0 to 100 | 0 to 75 |
| M | Span | 1.3 to 130 | 0.39 to 38 inHg | 13 to 1300 | 9.8 to 970 |
| | Range | 0 to 130 | 0 to 38 inHg | 0 to 1300 | 0 to 970 |
| A | Span | 0.03 to 3.5 MPa | 4.3 to 500 | 0.3 to 35 bar | 0.3 to 35 kgf/cm ² |
| | Range | 0 to 3.5 MPa | 0 to 500 | 0 to 35 bar | 0 to 35 kgf/cm ² |
| B | Span | 0.14 to 16 MPa | 20 to 2300 | 1.4 to 160 bar | 1.4 to 160 kgf/cm ² |
| | Range | 0 to 16 MPa | 0 to 2300 | 0 to 160 bar | 0 to 160 kgf/cm ² |

Note: The above values are in absolute pressure.

□ PERFORMANCE SPECIFICATIONS

Zero-based calibrated span, linear output, wetted parts material code ‘S’ and silicone oil, unless otherwise mentioned.

For Fieldbus and PROFIBUS PA communication types, use calibrated range instead of span in the following specifications.

Specification Conformance

EJA-E series ensures specification conformance to at least $\pm 3\sigma$.



Reference Accuracy of Calibrated Span

(includes terminal-based linearity, hysteresis, and repeatability)

| Measurement span | L | |
|-------------------------|----------------------------|-----------------------------------|
| Reference accuracy | X ≤ span | ±0.15% of Span |
| | X > span | ±(0.095+0.0297 URL/span)% of Span |
| X | 5.4 kPa abs (1.6 inHg abs) | |
| URL (upper range limit) | 10 kPa abs (2.95 inHg abs) | |

| Measurement span | M | |
|-------------------------|-----------------------------|----------------------------------|
| Reference accuracy | X ≤ span | ±0.1% of Span |
| | X > span | ±(0.045+0.009 URL/span)% of Span |
| X | 21.4 kPa abs (6.3 inHg abs) | |
| URL (upper range limit) | 130 kPa abs (38.4 inHg abs) | |

| Measurement span | A | B | |
|-------------------------|------------------------|-----------------------------------|--|
| Reference accuracy | X ≤ span | ±0.1% of Span | |
| | X > span | ±(0.062+0.0038 URL/span)% of Span | |
| X | 0.35 MPa abs (50 psia) | 1.6 MPa abs (230 psia) | |
| URL (upper range limit) | 3.5 MPa abs (500 psia) | 16 MPa abs (2300 psia) | |

Ambient Temperature Effects per 28°C (50°F) Change

| Capsule | Effect |
|---------|-------------------------------|
| L | ±(0.12% Span + 0.35% of URL) |
| M | ±(0.06% Span + 0.035% of URL) |
| A and B | ±(0.06% Span + 0.012% of URL) |

Stability

±0.2 % of URL per 10 years

Power Supply Effects(Output signal code D and J)

±0.005 % per Volt (from 21.6 to 32 V DC, 350Ω)

Vibration Effects

Amplifier housing code 1 and 3:

Less than 0.1% of URL when tested per the requirements of IEC60770-1 field or pipeline with high vibration level (10-60 Hz, 0.21 mm displacement/60-2000 Hz 3 g)

Amplifier housing code 2:

Less than ±0.1% of URL when tested per the requirements of IEC60770-1 field with general application or pipeline with low vibration level (10-60 Hz 0.15mm displacement /60-500 Hz 2g)

Mounting Position Effects

Tilting up to 90 degree will cause zero shift up to 0.5 kPa (2.0 inH₂O) which can be corrected by the zero adjustment.

Response Time (All capsules) “◇”

90 ms

When amplifier damping is set to zero and including dead time of 45 ms (nominal)

Minimum Pressure at Calibration*

L capsule: 130 Pa abs (1 mmHg abs)

M, A and B capsules: 2.7 kPa abs (20 mmHg abs)

*: If one or two of the calibration points are smaller than the above value, the above pressure is used for testing.
In case all of the calibration points are greater than the limit, only the pressure of upper range value (URV) is applied for testing.
Specifying option code /S1 with M or A capsule will lower the limit to 130 Pa abs.
/S1 is recommended for M capsule when the specified upper range value (URV) is not exceeding 3.4 kPa abs.

□ **FUNCTIONAL SPECIFICATIONS**

Output “◇”

For 4 to 20 mA HART / BRAIN (Output signal code D and J)

Two wire 4 to 20 mA DC output with digital communications, linear or square root programmable. BRAIN or HART FSK protocol are superimposed on the 4 to 20 mA signal.

Output range: 3.6 mA to 21.6 mA

Output limits conform to NAMUR NE43 can be preset by option C2 or C3.

For 1 to 5 V HART (Output signal code Q)

Three or four wire low power 1 to 5 V DC output with HART, linear or square root programmable. HART protocol are superimposed on the 1 to 5 V DC signal. Output range: 0.9 V to 5.4 V DC

Failure Alarm

For 4 to 20 mA HART / BRAIN (Output signal code D and J)

Output status at CPU failure and hardware error;
Up-scale: 110%, 21.6 mA DC or more (standard)
Down-scale: -5%, 3.2 mA DC or less

For 1 to 5 V HART (Output signal code Q)

Analog output status at CPU failure and hardware error;

Up-scale: 110%, 5.4 V DC or more (standard)

Down-scale: -5%, 0.8 V DC or less

Damping Time Constant (1st order)

Amplifier damping time constant is adjustable from 0.00 to 100.00 s by software and added to response time.

Note: For BRAIN protocol type, when software damping is set to less than 0.5 s, communication may occasionally be unavailable during the operation, especially while output changes dynamically. The default setting of damping ensures stable communication.

Update Period “◇”

Pressure: 45 ms

Zero Adjustment Limits

Zero can be fully elevated or suppressed, within the lower and upper range limits of the capsule.

External Zero Adjustment “◇”

External zero is continuously adjustable with 0.01% incremental resolution of span. Re-range can be done locally using the digital indicator with rangesetting switch.

Integral Indicator (LCD display) “◇”

5-digit numerical display, 6-digit unit display and bar graph.

The indicator is configurable to display one or up to three of the following variables periodically.; pressure in %, scaled pressure, measured pressure. See also “Factory Setting”.

Local Parameter Setting

(Output signal code D, J and Q)

Parameter configuration by the external zero adjustment screw and push button (Integral indicator code E) offers easy and quick setup for parameters of Loop test, Tag number, Unit, LRV, URV, Damping, Output mode (linear/square root), Display out 1, and Re-range by applying actual pressure (LRV/URV) and Device Information.

Burst Pressure Limits

69 MPa (10,000 psi)

Self Diagnostics

CPU failure, hardware failure, configuration error, process alarm for pressure or capsule temperature. User-configurable process high/low alarm for pressure is also available.

Signal Characterizer (Output signal code D, J and Q)

User-configurable 10-segment signal characterizer for 4 to 20 mA output.

SIL Certification

EJA-E series transmitters except Fieldbus, PROFIBUS PA and 1-5V DC with HART (Low Power) communication types are certified in compliance with the following standards;
 IEC 61508: 2010;
 Functional Safety of Electrical/electronic/programmable electronic related systems; SIL 2 capability for single transmitter use, SIL 3 capability for dual transmitter use.
 Reliability Data different depending on hardware and software revision.
 For details, refer to Functional Safety Data Sheet. (Document number: TI 01C25A05-01EN or TI 01C25A05-21EN for option code SLT)
 The document can be downloaded from the website of Yokogawa.
 (Website address: <https://www.yokogawa.com/solutions/products-platforms/field-instruments/>)

□ **NORMAL OPERATING CONDITION (Optional features or approval codes may affect limits.)**

Ambient Temperature Limits

-40 to 85°C (-40 to 185°F)
 -30 to 80°C (-22 to 176°F) with LCD display

Process Temperature Limits

-40 to 120°C (-40 to 248°F) M, A & B capsules
 -40 to 100°C (-40 to 212°F) L capsule

Ambient Humidity Limits

0 to 100% RH

Maximum Over Pressure

| Capsule | Pressure |
|---------|------------------------|
| L and M | 500 kPa abs (72 psia) |
| A | 16 MPa abs (2300 psia) |
| B | 25 MPa abs (3600 psia) |

Working Pressure Limits (Silicone oil)

Maximum Pressure Limits

| Capsule | Pressure |
|---------|----------------------------|
| L | 10 kPa abs (2.95 inHg abs) |
| M | 130 kPa abs (38 inHg abs) |
| A | 3.5 MPa abs (500 psia) |
| B | 16 MPa abs (2300 psia) |

Minimum Pressure Limit

See graph below

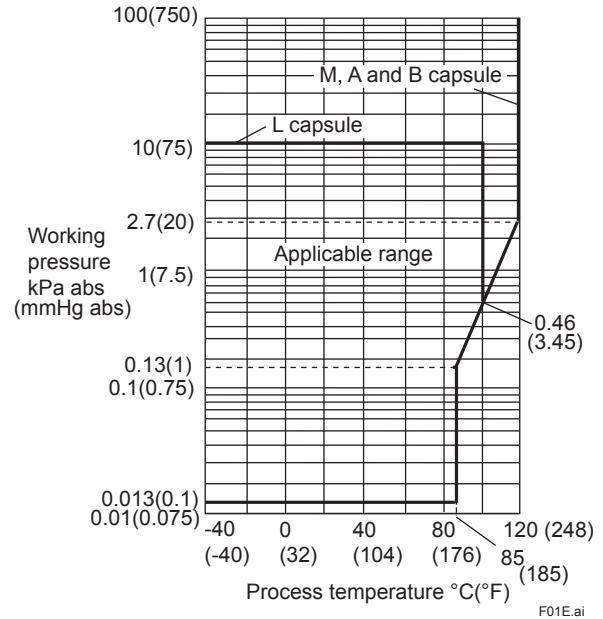


Figure 1. Working Pressure and Process Temperature

Supply & Load Requirements

(Output signal code D and J. Optional features or approval codes may affect electrical requirements.)

With 24 V DC supply, up to a 550Ω load can be used. See graph below.

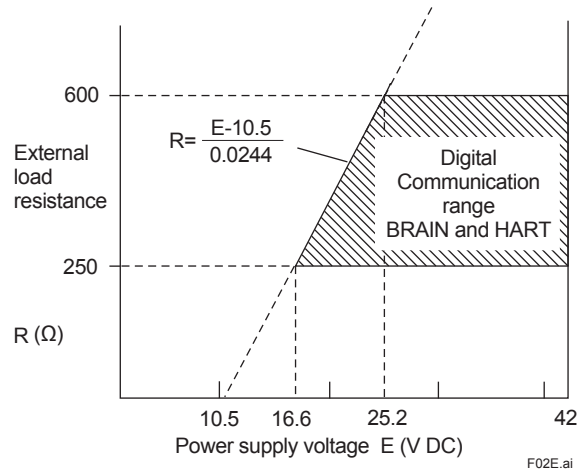


Figure 2. Relationship Between Power Supply Voltage and External Load Resistance (Output signal code D and J)

Supply Voltage “◇”**For 4 to 20 mA HART / BRAIN****(Output signal code D and J)**

10.5 to 42 V DC for general use and flameproof type.

10.5 to 32 V DC for lightning protector

(option code /A.)

10.5 to 30 V DC for intrinsically safe, type n, or non-incendive.

Minimum voltage limited at 16.6 V DC for digital communications, BRAIN and HART

For 1 to 5 V HART (Output signal code Q)

Power supply :

9 to 28 V DC for general use and flame proof type.

Power Consumption :

0.96 mA to 3 mA, 27 mW

Load for 4 to 20 mA HART / BRAIN**(Output signal code D and J)**

0 to 1290Ω for operation

250 to 600Ω for digital communication

Output Load for 1 to 5 V HART**(Output signal code Q)**

1 MΩ or greater (meter input impedance)

Note that with three-wire connection, the cable length may affect the measurement accuracy of the output signal.

Communication Requirements “◇”

(Approval codes may affect electrical requirements.)

BRAIN**Communication Distance**

Up to 2 km (1.25 miles) when using CEV polyethylene-insulated PVC-sheathed cables.

Communication distance varies depending on type of cable used.

Load Capacitance

0.22 μF or less

Load Inductance

3.3 mH or less

Input impedance of communicating device

10 kΩ or more at 2.4 kHz.

EMC Conformity Standards

EN 61326-1 Class A, Table2

EN 61326-2-3

EN 61326-2-5 (for fieldbus)

European Pressure Equipment Directive**2014/68/EU**

Sound Engineering Practice (for all capsules)

EU RoHS Directive

EN IEC 63000

Safety Requirement Standards

EN 61010-1, C22.2 No.61010-1

- Installation category: I
(Anticipated transient overvoltage 330 V)
- Pollution degree: 2
- Indoor/Outdoor use

□ PHYSICAL SPECIFICATIONS**Wetted Parts Materials****Diaphragm, Cover Flange, Process Connector, Capsule Gasket, and Vent/Drain Plug**

Refer to “MODEL AND SUFFIX CODES.”

Process Connector Gasket

PTFE Teflon

Fluorinated rubber for option code N2 and N3

Non-wetted Parts Materials**Bolting**

B7 carbon steel, 316L SST or 660 SST

Housing

- Low copper cast aluminum alloy
- Low copper cast aluminum alloy with corrosion resistance properties (copper content ≤ 0.03%, iron content ≤ 0.15%) (optional)
- ASTM CF-8M Stainless steel (optional)

Coating of housing

[for aluminum housing]

Polyester resin powder coating

Mint-green paint (Munsell 5.6BG 3.3/2.9 or its equivalent)

[for option code /P□ or /X2]

Epoxy and polyurethane resin solvent coating

Degrees of protection

IP66/IP67, Type 4X

Cover O-rings

Buna-N, fluoro-rubber (optional)

Name plate and tag

316 SST

Fill fluid

Silicone, Fluorinated oil (optional)

Weight

[Installation code 7, 8, and 9]

2.8 kg (6.2 lb) without integral indicator, mounting bracket, and process connector.

Add 1.5 kg (3.3 lb) for Amplifier housing code 2.

Connections

Refer to “MODEL AND SUFFIX CODES.”

Process connection of cover flange: IEC61518

< Related Instruments >

FieldMate Versatile Device Management Wizard:

Refer to GS 01R01A01-01E.

BRAIN TERMINAL: Refer to GS 01C00A11-00E

Power Distributor: Refer to GS 01B04T01-02E or GS 01B04T02-02E

< Reference >

- *DPharp EIA*; Registered trademark of Yokogawa Electric Corporation.
- FieldMate; Registered trademark of Yokogawa Electric Corporation.
- Teflon; Trademark of E.I. DuPont de Nemours & Co.
- Hastelloy; Trademark of Haynes International Inc.
- HART®; Registered trademark of FieldComm Group.
- FOUNDATION Fieldbus; Trademark of FieldComm Group.
- PROFIBUS; Registered trademark of Profibus Nutzerorganisation e.v., Karlsruhe, Germany.

Other company names and product names used in this material are registered trademarks or trademarks of their respective owners.

MODEL AND SUFFIX CODES

| Model | Suffix Codes | Description |
|--|--|---|
| EJA310E | | Absolute pressure transmitter |
| Output signal | -D -J -F -G -Q | 4 to 20 mA DC with digital communication (BRAIN protocol) 4 to 20 mA DC with digital communication (HART 5/HART 7 protocol)*1 Digital communication (FOUNDATION Fieldbus protocol, refer to GS 01C31T02-01EN) Digital communication (PROFIBUS PA protocol, refer to GS 01C31T04-01EN) Low Power, 1 to 5 V DC with digital communication (HART 7 protocol) |
| Measurement span (capsule) | L M A B | 0.67 to 10 kPa abs (0.2 to 2.95 inHg abs) 1.3 to 130 kPa abs (0.39 to 38 inHg abs) 0.03 to 3.5 MPa abs (4.3 to 500 psia) 0.14 to 16 MPa abs (20 to 2300 psia) |
| Wetted parts material *2 | <input type="checkbox"/> | Refer to "Wetted Parts Material" Table. |
| Process connections See the table in the next page for the codes for a diaphragm seal system. | 0 1 2 3 4 5 | without process connector (Rc1/4 female on the cover flanges) with Rc1/4 female process connector with Rc1/2 female process connector with 1/4 NPT female process connector with 1/2 NPT female process connector without process connector (1/4 NPT female on the cover flanges) |
| Bolts and nuts material | J G C | B7 carbon steel 316L SST 660 SST |
| Installation | -3 -7 -8 -9 -B -U | Vertical piping, right side high pressure, and process connection down side Vertical piping, left side high pressure, and process connection down side Horizontal piping and right side high pressure Horizontal piping and left side high pressure Bottom Process Connection, left side high pressure *8 Universal flange *8 |
| Amplifier housing | 1 3 2 | Cast aluminum alloy Cast aluminum alloy with corrosion resistance properties *3 ASTM CF-8M stainless steel *4 *3 |
| Electrical connection | 0 2 4 5 7 9 A C D | G1/2 female, one electrical connection without blind plugs 1/2 NPT female, two electrical connections without blind plugs M20 female, two electrical connections without blind plugs G1/2 female, two electrical connections and a blind plug *5 1/2 NPT female, two electrical connections and a blind plug *5 M20 female, two electrical connections and a blind plug *5 G1/2 female, two electrical connections and a 316 SST blind plug 1/2 NPT female, two electrical connections and a 316 SST blind plug M20 female, two electrical connections and a 316 SST blind plug |
| Integral indicator | D E N | Digital indicator *6 Digital indicator with the range setting switch (push button) *7 (None) |
| Mounting bracket | B D J K M P N | 304 SST 2-inch pipe mounting, flat type (for horizontal piping) 304 SST 2-inch pipe mounting, L type (for vertical piping) 316 SST 2-inch pipe mounting, flat type (for horizontal piping) 316 SST 2-inch pipe mounting, L type (for vertical piping) 316 SST 2-inch pipe mounting (for bottom process connection type) 316 SST 2-inch pipe mounting, position adjustable L type (for vertical piping)*9 (None) |
| Optional Codes | <input type="checkbox"/> | <input type="checkbox"/> Optional specification |

The "►" marks indicate the most typical selection for each specification.

*1: HART 5 or HART 7 is selectable. Specify upon ordering.

*2: ⚠ Users must consider the characteristics of selected wetted parts material and influence of process fluids. Specifying inappropriate materials has the potential to cause serious damage to human body and plant facilities resulted from an unexpected leak of the corrosive process fluids.

*3: Not applicable for electrical connection code 0, 5, 7, 9 and A.

*4: Not applicable for electrical connection code 0, 5, 7 and 9.

*5: Material of a blind plug; aluminum alloy for code 5 and 9, and SUS304 for code 7.

*6: Not applicable for output signal code G.

*7: Not applicable for output signal code F.

*8: Applicable only for wetted parts material code S.

*9: For position adjustable bracket, refer to SD 01C25B14-01EN.

Table. Wetted Parts Materials

| Wetted parts material code | Cover flange and process connector | Capsule | Capsule gasket | Vent/Drain plug |
|----------------------------|------------------------------------|--|------------------------|-----------------|
| S # | ASTM CF-8M *1*4 | Hastelloy C-276 *2 (Diaphragm) F316L SST, 316L SST (Others) | Teflon-coated 316L SST | 316 SST |
| L # | ASTM CF-3M *3*4 | Hastelloy C-276 *2 (Diaphragm) F316L SST, 316L SST (Others) | Teflon-coated 316L SST | 316L SST |

*1: Cast version of 316 SST. Equivalent to SCS14A.

*2: Hastelloy C-276 or ASTM N10276.

*3: Cast version of 316L SST. Equivalent to SCS16A.

*4: Intergranular corrosion test passed according to ASTM A262 Practice E.

The '#' marks indicate the construction materials conform to NACE material recommendations per MR0175/ISO15156.

Please refer to the latest standards for details. Selected materials also conform to NACE MR0103.

[Process Connections Code for Diaphragm Seal System]

The table below shows the codes dedicated for the combination with a diaphragm seal system. They are only available when the transmitter is ordered in combination with a diaphragm seal system. Please also refer to GS 01C25W01-01EN.

| Process Connections Code | High Pressure Side |
|--------------------------|--|
| B | With C80F□ or C82F□ diaphragm seal |
| G | With C80F□ or C82F□ diaphragm seal for high vacuum use |

C80F□ and C82F□ stand for C80FW or C80FE remote mount flanged diaphragm seal, C82FA inner diaphragm adapter connection seal, and C82FD inner diaphragm flanged seal respectively.

■ OPTIONAL SPECIFICATIONS (For Explosion Protected type) “◇”

For other agency approvals and marine approvals, please refer to GS 01C25A20-01EN.

Please select appropriate equipment in accordance with the laws and regulations of the relevant country/region, when it is used in a location where explosive atmospheres may be present.

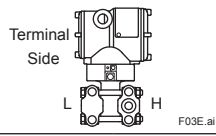
| Item | Description | Code |
|---------------------|--|------|
| Factory Mutual (FM) | FM Explosionproof Approval ** Applicable Standard: FM3600, FM3615, FM3810, NEMA 250, ANSI/UL 61010-1, ANSI/UL 61010-2-30 Explosionproof for Class I, Division 1, Groups B, C and D, Dust-ignitionproof for Class II/III, Division 1, Groups E, F and G, in Hazardous locations, indoors and outdoors (Enclosure: Type 4X) “FACTORY SEALED, CONDUIT SEAL NOT REQUIRED.” Temperature class: T6, Amb. Temp.: -40 to 60°C (-40 to 140°F) | FF1 |
| | FM Intrinsically safe Approval ** ³ Applicable Standard: FM 3600, FM 3610, FM 3611, FM 3810, ANSI/ISA-60079-0, ANSI/ISA-60079-11, ANSI/ISA-61010-1, NEMA 250 Intrinsically Safe for Class I, Division 1, Groups A, B, C & D, Class II, Division 1, Groups E, F & G and Class III, Division 1, Class I, Zone 0, in Hazardous Locations, AEx ia IIC Nonincendive for Class I, Division 2, Groups A, B, C & D, Class II, Division. 2, Groups F & G, Class I, Zone 2, Group IIC, in Hazardous Locations Enclosure: Type 4X, Temp. Class: T4, Amb. Temp.: -60 to 60°C (-75 to 140°F) Intrinsically Safe Apparatus Parameters [Groups A, B, C, D, E, F and G] Vmax=30 V, Imax=200 mA, Pmax=1 W, Ci=6 nF, Li=0 μH [Groups C, D, E, F and G] Vmax=30 V, Imax=225 mA, Pmax=1 W, Ci=6 nF, Li=0 μH | FS1 |
| | Combined FF1 and FS1 ** ³ | FU1 |
| ATEX | ATEX Flameproof Approval ** Applicable Standard: EN IEC 60079-0, EN 60079-1, EN 60079-31 Certificate: KEMA 07ATEX0109 X II 2 G Ex db IIC T6...T4 Gb, II 2 D Ex tb IIIC T85°C Db Degree of protection: IP66/IP67 Amb. Temp. (Tamb) for gas-proof : T4; -50 to 75°C (-58 to 167°F), T5; -50 to 80°C (-58 to 176°F), T6; -50 to 75°C (-58 to 167°F) Process Temp. for gas-proof (Tp): T4; -50 to 120°C (-58 to 248°F), T5; -50 to 100°C (-58 to 212°F), T6; -50 to 85°C (-58 to 185°F) Max. surface Temp. for dust-proof: T85°C (Tamb: -30 to 75°C, Tp: -30 to 85°C) * ² | KF22 |
| | ATEX Intrinsically safe Approval ** ³ Applicable Standard: EN IEC 60079-0, EN 60079-11 Certificate: DEKRA 11ATEX0228 X II 1 G Ex ia IIC T4 Ga, II 2 D Ex ia IIIC T85°C T100°C T120°C Db Degree of protection: IP66/IP67 Amb. Temp. (Tamb) for EPL Ga: -50 to 60°C (-58 to 140°F) Maximum Process Temp. (Tp) for EPL Ga: 120°C Electrical data: Ui=30 V, Ii=200 mA, Pi=0.9 W, Ci=27.6 nF, Li=0 μH Amb. Temp. for EPL Db: -30 to 60°C * ² Max. surface Temp. for EPL Db: T85°C (Tp: 80°C), T100°C (Tp: 100°C), T120°C (Tp: 120°C) | KS21 |
| | Multiple types of protection (KF22, KS21 or Intrinsically safe Ex ic) ** ³ Applicable Standard: EN IEC 60079-0, EN 60079-11 II 3 G Ex ic IIC T4 Gc, Amb. Temp.: -30 to 60°C (-22 to 140°F) * ² Ui=30 V, Ci=27.6 nF, Li=0 μH | KU22 |

| Item | Description | Code |
|---|---|-------------------|
| <p>Canadian Standards Association (CSA)</p> | <p>CSA Explosionproof Approval *1 Certificate: 2014354 Applicable Standard: C22.2 No. 25, C22.2 No. 30, C22.2 No. 94.2, C22.2 No.213 CAN/CSA-C22.2 No. 61010-1, CAN/CSA-C22.2 No. 61010-2-030, CAN/CSA-C22.2 No. 60079-0 CAN/CSA-C22.2 No. 60079-1, CAN/CSA-C22.2 No. 60529, ANSI/UL 122701 [For Explosion-proof] Class I, Groups B, C and D. Temperature Code: T6...T4 Process Temp.: T4; -50 to 120°C (-58 to 248°F), T5; -50 to 100°C (-58 to 212°F), T6; -50 to 85°C (-58 to 185°F) Amb.Temp.: T4; -50 to 75°C (-58 to 167°F), T5; -50 to 80°C (-58 to 176°F), T6; -50 to 75°C (-58 to 167°F) Enclosure: Type 4X [For Flameproof] Ex d IIC T6...T4 Process Temp.: T4; -50 to 120°C (-58 to 248°F), T5; -50 to 100°C (-58 to 212°F), T6; -50 to 85°C (-58 to 185°F) Amb.Temp.: T4; -50 to 75°C (-58 to 167°F), T5; -50 to 80°C (-58 to 176°F), T6; -50 to 75°C (-58 to 167°F) Enclosure: IP66/IP67 [For Dustignition-proof] Class II/III, Groups E, F and G. Temp. Code: T85°C T85°C (Tamb: -30* to 75°C, Tp: -30* to 85°C) *-15 °C (When fluorinated rubber O-ring is specified) Enclosure: Type 4X Process seal: Dual Seal with Annunciation No additional sealing required Primary seal failure annunciation: at the zero-adjustment screw.</p> | <p>CF1</p> |
| | <p>CSA Intrinsically safe Approval *1*3 Certificate: 1606623 [For Division System] Applicable Standard: CAN/CSA C22.2 No.0, CSA C22.2 No.94.2, CSA C22.2 No.213, CAN/CSA C22.2 No.61010-1, CAN/CSA C22.2 No.61010-2-030 Intrinsically Safe for Class I, Division 1, Groups A, B, C & D, Class II, Division 1, Groups E, F & G, Class III, Division 1, Nonincendive for Class I, Division 2, Groups A, B, C & D, Class II, Division 2, Groups F & G, Class III, Division 1 Enclosure: Type 4X, Temp. Code: T4 Amb. Temp.: -50 to 60°C(-58 to 140°F) *2 Electrical Parameters: [Intrinsically Safe] Vmax=30V, Imax=200mA, Pmax=0.9W, Ci=10nF, Li=0 μH [Nonincendive] Vmax=30V, Ci=10nF, Li=0 μH [For Zone System] Applicable Standard: CAN/CSA C22.2 No.60079-0, CAN/CSA C22.2 No.60079-11, CAN/CSA E60079-15, CAN/CSA C22.2 No.60529 Ex ia IIC T4, Ex nL IIC T4 Enclosure: IP66/IP67 Amb. Temp.: -50 to 60°C(-58 to 140°F) *2, Max. Process Temp.: 120°C(248°F) Electrical Parameters: [Ex ia] Ui=30V, Ii=200mA, Pi=0.9W, Ci=10nF, Li=0 μH [Ex nL] Ui=30V, Ci=10nF, Li=0 μH Process Sealing Certification Dual Seal Certified by CSA to the requirement of ANSI/ISA-12.27.01 No additional sealing required Primary seal failure annunciation: at the zero adjustment screw</p> | <p>CS1</p> |
| | <p>Combined CF1 and CS1 *1*3</p> | <p>CU1</p> |

| Item | Description | Code |
|-------|---|------|
| IECEX | IECEx Flameproof Approval *1 Applicable Standard: IEC 60079-0, IEC 60079-1, IEC 60079-31 Certificate: IECEx DEK 14.0046X Enclosure: IP66/IP67 Ex db IIC T6...T4 Gb, Ex tb IIIC T85°C Db Amb. Temp. (Tamb) for gas-proof : T4; -50 to 75°C (-58 to 167°F), T5; -50 to 80°C (-58 to 176°F), T6; -50 to 75°C (-58 to 167°F) Process Temp. for gas-proof (Tp): T4; -50 to 120°C (-58 to 248°F), T5; -50 to 100°C (-58 to 212°F), T6; -50 to 85°C (-58 to 185°F) Max. surface Temp. for dust-proof: T85°C (Tamb: -30 to 75°C, Tp: -30 to 85°C) *2 | SF22 |
| | IECEx Intrinsically safe and SF22 *1*3 Intrinsically safe Ex ia Certificate: IECEx DEK 11.0081X Applicable Standard: IEC 60079-0, IEC 60079-11 Ex ia IIC T4 Ga Enclosure: IP66/IP67 Amb. Temp.: -50 to 60°C (-58 to 140°F), Max. Process Temp.: 120°C (248°F) Electrical Parameters: Ui=30V, Ii=200mA, Pi=0.9W, Ci=27.6nF, Li=0 μH Intrinsically safe Ex ic Certificate: IECEx DEK 13.0061X Applicable Standard: IEC 60079-0, IEC 60079-11 Ex ic IIC T4 Gc IP code: IP66 Amb. Temp.: -30 to 60°C (-22 to 140°F) *2, Max. Process Temp.: 120°C (248°F) Electrical Parameters: Ui=30V, Ci=27.6 nF, Li=0 μH Flameproof Refer to SF22 | SU22 |

- *1: Applicable for Electrical connection code 2, 4, 7, 9, C and D.
- *2: Lower limit of temperature is -15°C (5°F) when /HE is specified.
- *3: Not applicable for output signal code Q.

OPTIONAL SPECIFICATIONS

| Item | | Description | Code | |
|---|----------------|--|--|-----|
| Painting | Color change | Amplifier cover only ^{*1} | P□ | |
| | | Amplifier cover and terminal cover, Munsell 7.5 R4/14 | PR | |
| | Coating change | Anti-corrosion coating ^{*2} | X2 | |
| 316 SST exterior parts | | 316 SST zero-adjustment screw and setscrews ^{*3} | HC | |
| Fluoro-rubber O-ring | | All O-rings of amplifier housing. Lower limit of ambient temperature: -15°C (5°F) | HE | |
| Lightning protector | | Transmitter power supply voltage: 10.5 to 32 V DC (10.5 to 30 V DC for intrinsically safe type.) Allowable current: Max. 6000 A (1×40 μs), Repeating 1000 A (1×40 μs) 100 times Applicable Standards: IEC 61000-4-4, IEC 61000-4-5 | A | |
| Oil-prohibited use ^{*5*27} | | Degrease cleansing treatment | K1 | |
| | | Degrease cleansing treatment and fluorinated oilfilled capsule. Operating temperature -20 to 80°C (-4 to 176°F) | K2 | |
| | | Degrease cleansing treatment | With certificates | K41 |
| | | Degrease cleansing treatment and fluorinated oilfilled capsule. Operating temperature -20 to 80°C (-4 to 176°F) | | K42 |
| Oil-prohibited use with dehydrating treatment ^{*5*27} | | Degrease cleansing and dehydrating treatment | K5 | |
| | | Degrease cleansing and dehydrating treatment with fluorinated oilfilled capsule. Operating temperature -20 to 80°C (-4 to 176°F) | K6 | |
| | | Degrease cleansing and dehydrating treatment | With certificates | K45 |
| | | Degrease cleansing and dehydrating treatment with fluorinated oilfilled capsule. Operating temperature -20 to 80°C (-4 to 176°F) | | K46 |
| Capsule fill fluid ^{*27} | | Fluorinated oil filled in capsule Operating temperature -20 to 80°C (-4 to 176°F) | K3 | |
| Calibration units ^{*6} | | P calibration (psi unit) | (See Table for Span and Range Limits.) | D1 |
| | | bar calibration (bar unit) | | D3 |
| | | M calibration (kgf/cm ² unit) | | D4 |
| Plug option ^{*23*24*27} | | Long vent ^{*7} : Total length: 119 mm (standard: 34 mm); Total length when combining with optional code K1, K2, K5, and K6: 130 mm. Material: 316 SST U1. | | U1 |
| | | Without vent and drain plugs | | UN |
| Gold-plated capsule gasket ^{*4*27} | | Gold-plated 316L SST capsule gasket. Without drain and vent plugs. | | GS |
| Gold-plated diaphragm ^{*21*27} | | Surface of isolating diaphragms are gold plated, effective for hydrogen permeation. | Gold plate thickness: 3 μm | A1 |
| | | | Gold plate thickness: 10 μm | A2 |
| Output limits and failure option ^{*8} | | Output status at CPU failure and hardware error. When combining with Optional code F1, output signal is -5%, 3.2 mA DC or less for 4 to 20 mA output type, and -5%, 0.8V DC or less for 1 to 5 V output type. | | C1 |
| | | NAMUR NE43 Compliant Output signal limits: 3.8 mA to 20.5 mA ^{*20} | Failure alarm down-scale: Output status at CPU failure and hardware error is -5%, 3.2 mA DC or less. | C2 |
| | | | Failure alarm up-scale: Output status at CPU failure and hardware error is 110%, 21.6 mA or more. | C3 |
| 130 Pa abs (1 mmHg abs) Calibration ^{*11} | | Minimum input pressure: 130 Pa abs(1 mmHg abs) at range calibrating testing | | S1 |
| Body option ^{*9*27}  | | Without drain and vent plugs | | N1 |
| | | N1 and Process connection, based on IEC61518 with female thread on both sides of cover flange, with blind kidney flanges on back | | N2 |
| | | N2, and Material certificate for cover flange, diaphragm, capsule body, and blind kidney flange | | N3 |
| Wired tag plate | | 316 SST tag plate wired onto transmitter | | N4 |
| Data configuration at factory ^{*10} | | Data configuration for HART communication type | Software damping, Descriptor, Message | CA |
| | | Data configuration for BRAIN communication type | Software damping | CB |
| | | Data configuration for HART communication type | Software damping, Descriptor, Message, External zero adjustment prohibition setting | CJ |
| | | Data configuration for BRAIN communication type | Software damping, External zero adjustment prohibition setting | CK |

| Item | Description | Code | |
|---|---|---|-----|
| Material certificate*12*27 | Cover flange *14 | M01 | |
| | Cover flange, Process connector *15 | M11 | |
| | Cover flange, Diaphragm, Capsule body*14*28 | MA1 | |
| | Cover flange, Process connector, Diaphragm, Capsule body*15*25 | MC1 | |
| | Cover flange, Bolt and Nut for cover flange, Diaphragm, Capsule body, Vent and Drain plug, Vent screw, Capsule gasket*14*22*24 | MG1 | |
| | Cover flange, Process connector, Bolt and nut for cover flange, Bolt for process connector, Diaphragm, Capsule body, Vent and Drain plug, Vent screw, Capsule gasket*15*22*24 | MH1 | |
| Calibration certificate | Text, Traceability | L4 | |
| | Text, Traceability, Primary standards list | L5 | |
| | Text, Traceability, Primary standards list, Calibration equipment list | L6 | |
| | Text, Traceability, Primary standards list, Calibration equipment list, Calibration equipment certificate | L9 | |
| Pressure test/ Leak test certificate*13*27 | Test Pressure: 50 kPa (200 inH ₂ O)*16 | Nitrogen Gas*19 Retention time: one minute | T04 |
| | Test Pressure: 3.5MPa (500 psi)*17 | | T01 |
| | Test Pressure: 16 MPa (2300 psi)*18 | | T12 |
| Parameter list*26 | List of setting and adjustment parameters | YP | |
| Additional blind plug*29 | Additional blind plug is attached to the conduit connection on both sides for storing transmitter | PP | |

- *1: Not applicable for amplifier housing code 2 and 3.
- *2: Not applicable with color change option.
- *3: 316 or 316L SST. The specification is included in amplifier code 2.
- *4: Applicable for wetted parts material code S; process connection code 0 and 5; and installation code 8 and 9. Not applicable for option code U1, N2, N3 and M11. No PTFE is used for wetted parts.
- *5: Applicable for wetted parts material code S.
- *6: The unit of MWP (Max. working pressure) on the name plate of a housing is the same unit as specified by option code D1, D3, and D4.
- *7: Applicable for vertical impulse piping type (Installation code 7) and wetted parts material code S. Long vent material is 316 SST.
- *8: Applicable for output signal code D and J. The hardware error indicates faulty amplifier or capsule.
- *9: Applicable for wetted parts material code S, process connection code 3, 4, and 5; Installation code 9; and mounting bracket code N. Process connection faces on the other side of zero adjustment screw.
- *10: Also see 'Ordering Instructions'.
- *11: Applicable for Capsule code M and A with upper range value smaller than 53.3 kPa (400 mmHg abs). If not specified, minimum input pressure for calibration testing will be 2.7 kPa abs (20 mmHg abs) even if the smaller range value is specified for customer's range.
- *12: Material traceability certification per EN 10204 3.1B.
- *13: The unit on the certificate is always Pa unit regardless of selection of option code D1, D3 or D4.
- *14: Applicable for Process connections code 0 and 5.
- *15: Applicable for Process connections code 1, 2, 3, and 4.
- *16: Applicable for capsule code M and L.
- *17: Applicable for capsule code A.
- *18: Applicable for capsule code B.
- *19: Dry nitrogen gas is used for oil-prohibited use (option codes K1, K2, K5, K6, K41, K42, K45, and K46.)
- *20: The 1 to 5 V voltage output corresponding to 4 to 20 mA current output is applied to output signal code Q which is non-compliant to NAMUR NE43.
- *21: /A2 is not applicable with FM approval.
- *22: Not applicable with plug option code UN.
- *23: Not applicable for installation code -U.
- *24: Not applicable with option code N1, N2, N3 and GS.
- *25: Applicable for option code UN and N1.
- *26: Applicable for output signal code D and J.
- *27: Not applicable with process connections code for diaphragm seal system B and G.
- *28: Applicable for option code UN, N1 and GS.
- *29: Not applicable for electrical connection codes 0, 2, and 4.

■ OPTIONAL SPECIFICATIONS (FOR DIAPHRAGM SEAL SYSTEM)

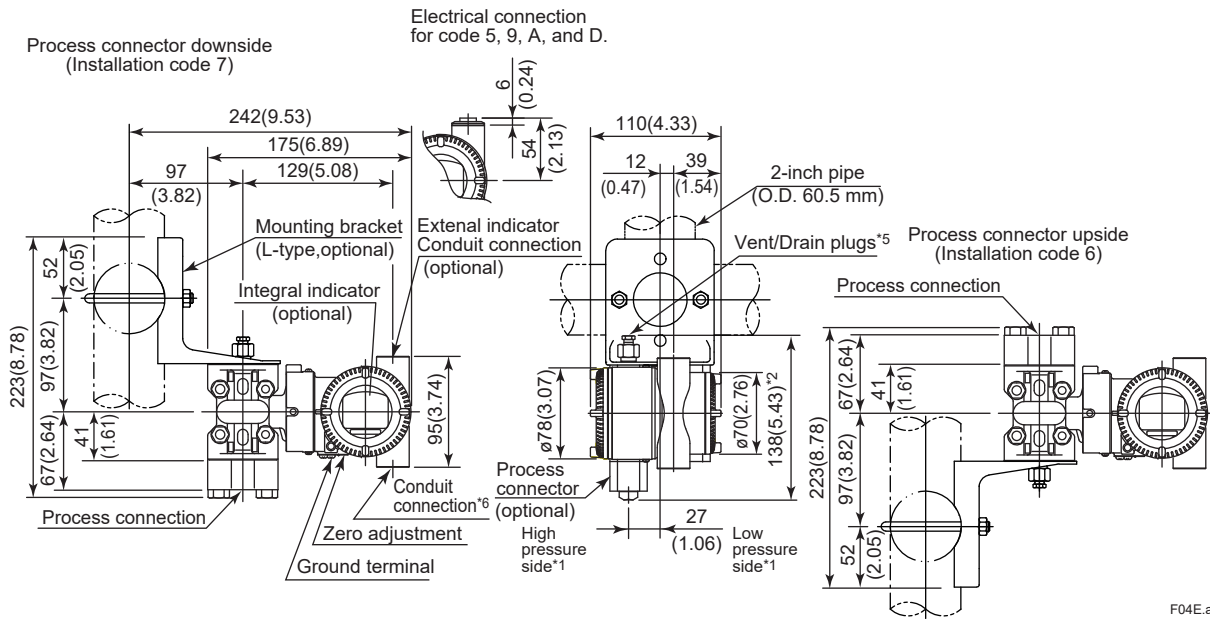
The table below shows the codes dedicated for the combination with a diaphragm seal system. It is only available when the transmitter is ordered in combination with a diaphragm seal system. Please also refer to GS 01C25W01-01EN

| Item | Descriptions | Code |
|----------------------|-------------------------------|------|
| Material certificate | Bolt and nut for cover flange | M51 |

DIMENSIONS

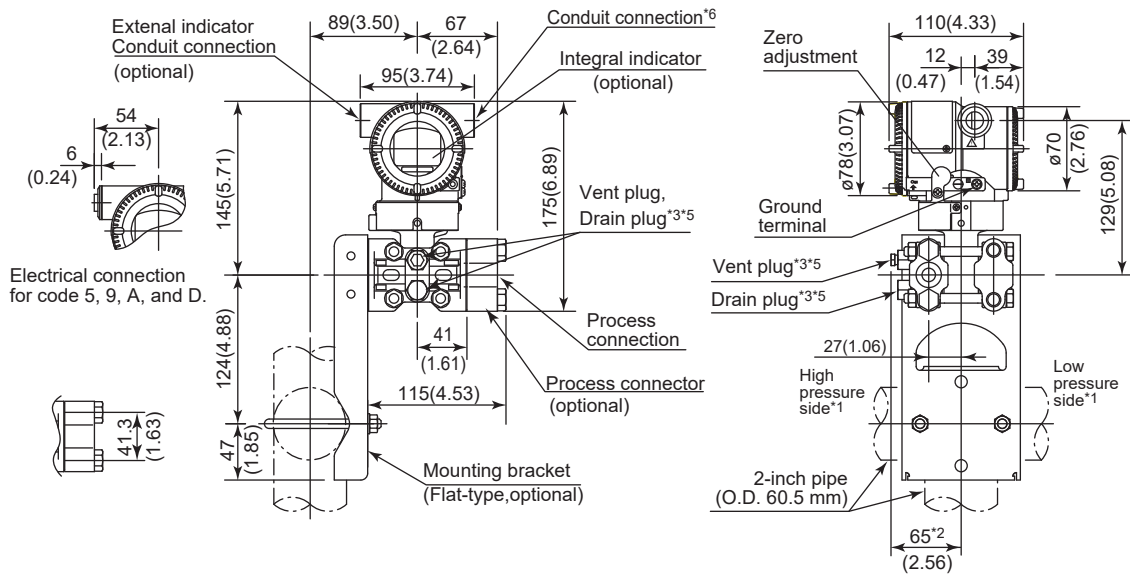
Unit: mm (approx.inch)

Vertical Impulse Piping Type



F04E.ai

Horizontal Impulse Piping Type (Installation code 9)

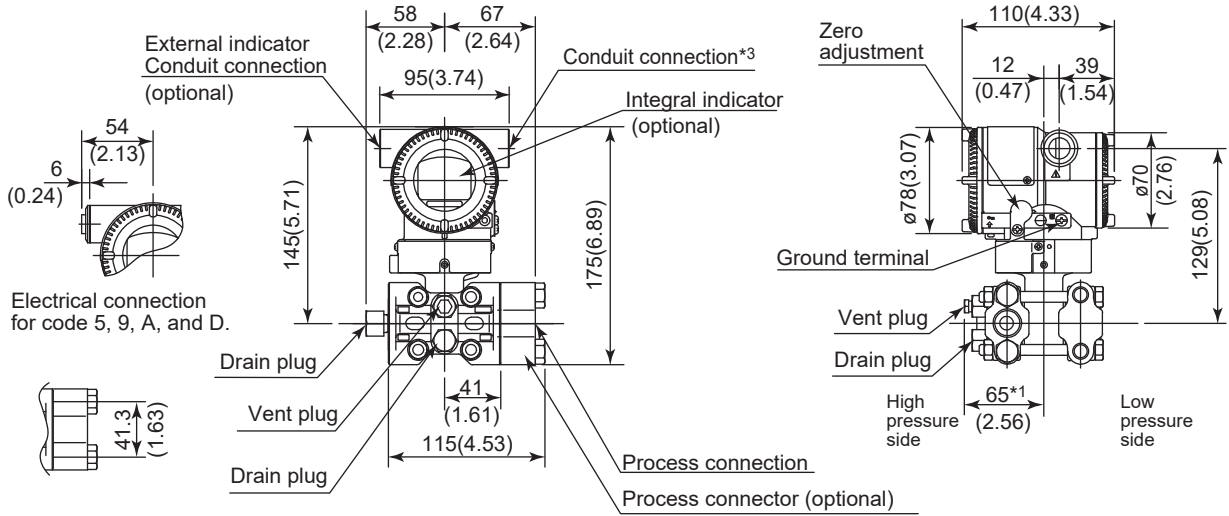


F05E.ai

- *1: When Installation code 2, 3, or 8 is selected, high and low pressure side on the above figure are reversed. (i.e. High pressure side is on the right side.)
- *2: When Option code K1, K2, K5, K6, K41, K42, K45, or K46 is selected, add 15 mm (0.59 inch) to the value in the figure.
- *3: Not available when Option code GS is specified.
- *4: When electrical connection code 7 or C is selected, a blind plug is protruded up to 8 mm (0.31 inch) from the conduit connection.
- *5: When option code UN is specified, Vent/Drain holes and plugs are not applicable.
- *6: When option code PP is selected, a blind plug is attached to the conduit connection on both sides.

Unit: mm (approx.inch)

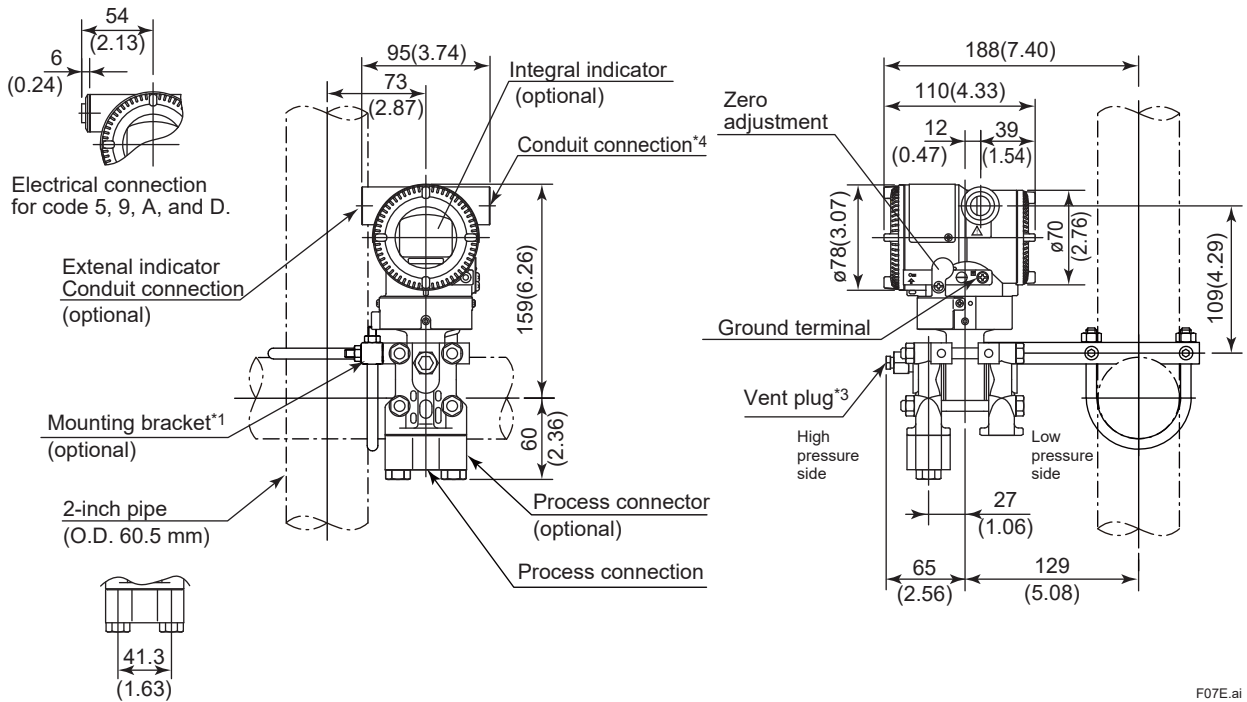
● **Universal Flange (Installation code U)**



F06E.ai

- *1: When Option code K1, K2, K5, K6, K41, K42, K45, or K46 is selected, add 15 mm (0.59 inch) to the value.
- *2: When electrical connection code 7 or C is selected, a blind plug is protruded up to 8 mm (0.31 inch) from the conduit connection.
- *3: When option code PP is selected, a blind plug is attached to the conduit connection on both sides.

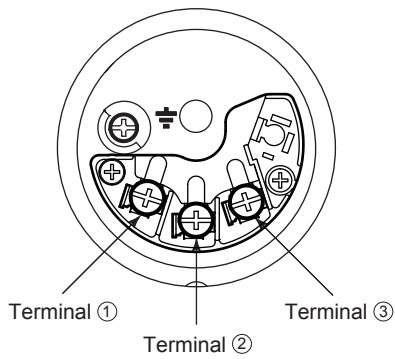
● **Bottom Process Connection (Installation code B)**



F07E.ai

- *1: A transmitter with SST housing is not applicable for mounting to horizontal 2-inch pipe.
- *2: When electrical connection code 7 or C is selected, a blind plug is protruded up to 8 mm (0.31 inch) from the conduit connection.
- *3: When option code UN is specified, Vent holes and plugs are not applicable.
- *4: When option code PP is selected, a blind plug is attached to the conduit connection on both sides.

• Terminal Configuration



• Terminal Wiring for 4 to 20 mA output, FOUNDATION Fieldbus and PROFIBUS PA communication types

| | | | |
|--------|---|---|--|
| SUPPLY | + | ① |] Power supply and output terminals |
| | - | ② | |
| CHECK | + | ③ |] External indicator (ammeter) terminals*1*2 |
| | - | ② | |
| | | | ⏏ Ground terminal |

*1: When using an external indicator or check meter, the internal resistance must be 10 Ω or less.

*2: Not available for FOUNDATION Fieldbus and PROFIBUS PA communication types.

• Terminal Wiring for 1 to 5 V output

| | | | |
|--------|---|---|---|
| SUPPLY | + | ① |] Power supply terminals |
| | - | ② | |
| VOUT | + | ③ |] 1 to 5 V DC with HART communication terminals |
| | - | ② | |
| | | | ⏏ Ground terminal |

Three or four wire connection. For four wire connection, both supply and signal lines use SUPPLY - terminal.

F08E.ai

< Ordering Information > “◇”

Specify the following when ordering

1. Model, suffix codes, and option codes
2. Calibration range and units:
 - 1) Calibration range can be specified with range value specifications up to 5 digits (excluding any decimal point) for low or high range limits within the range of -32000 to 32000. When reverse range is designated, specify Lower Range Value(LRV) as greater than Upper Range Value(URV).
 - 2) Specify only one unit from the table, 'Factory setting.'
3. Display scale and units (for transmitters equipped with an integral indicator only)
Specify either 0 to 100% or engineering unit scale and 'Range and Unit' for engineering units scale: Scale range can be specified with range limit specifications up to 5 digits (excluding any decimal point) for low or high range limits within the range of -32000 to 32000. Unit display consists of 6-digit, therefore, if specified unit excluding '/' is longer than 6 characters, the first 6 characters will be displayed on the unit display.
4. HART PROTOCOL
When output signal code is "J", specify the HART protocol revision "5" or "7".
5. TAG NO (if required)
Specified characters (up to 16 characters for BRAIN, 22 characters for HART) are engraved on the stainless steel tag plate fixed on the housing.
6. SOFTWARE TAG (for HART only, if required)
Specified characters (up to 32 characters) are set as "Tag" (the first 8 characters) and "Long tag"^{*1} (32 characters) in the amplifier memory. Use alphanumeric capital letters.
When the "SOFTWARE TAG" is not specified, specified "TAG NO" is set as "Tag" (the first 8 characters) and "Long tag"^{*1} (22 characters) in the amplifier memory.
^{*1}: applicable only when HART 7 is selected.
7. Other factory configurations (if required) Specifying option code /CA, /CB, /CJ, or /CK will allow further configuration at factory. Following are configurable items and setting range.
[/CA, /CJ : For HART communication type]
 - 1) Descriptor (up to 16 characters)
 - 2) Message (up to 30 characters)
 - 3) Software damping in second (0.00 to 100.00)
 [/CB, /CK : For BRAIN communication type]
 - 1) Software damping in second (0.00 to 100.00)

< Factory Setting > “◇”

| | |
|-------------------------------------|--|
| Tag number | As specified in order |
| Software damping *1 | '2.00 s' or as specified in order |
| Calibration range lower range value | As specified in order |
| Calibration range upper range value | As specified in order |
| Calibration range units | Selected from torr, Pa abs *2, hPa abs *2, kPa abs, MPa abs, mbar abs, bar abs, mmH2O abs, mmHg abs, gf/cm ² abs, kgf/cm ² abs, inH2O abs, inHg abs, ftH2O abs, atm, or psia. (Only one unit can be specified) |
| Display setting | Designated value specified in order. (% , or user scaled value.) |

- *1: To specify this item at factory, option code /CA, /CB, /CJ, or /CK is required.
- *2: Not available for HART protocol type.

< Material Cross Reference >

| ASTM | JIS |
|-------|----------|
| 316 | SUS316 |
| F316 | SUSF316 |
| 316L | SUS316L |
| F316L | SUSF316L |
| 304 | SUS304 |
| F304 | SUSF304 |
| 660 | SUH660 |
| B7 | SNB7 |
| CF-8M | SCS14A |

<Information on EU WEEE Directive>

EU WEEE (Waste Electrical and Electronic Equipment) Directive is only valid in the EU.

This instrument is intended to be sold and used only as a part of equipment which is excluded from WEEE Directive, such as large-scale stationary industrial tools, a large-scale fixed installation and so on, and, therefore, subjected to the exclusion from the scope of the WEEE Directive. The instrument should be disposed of in accordance with local and national legislation/regulations.