

General Specifications

EJX610A and EJX630A Absolute and Gauge Pressure Transmitter



GS 01C25F05-01EN

The high performance gauge pressure transmitter EJX630A and absolute pressure transmitter EJX610A feature single crystal silicon resonant sensor and are suitable to measure liquid, gas, or steam pressure.

EJX610A and EJX630A output a 4 to 20 mA DC signal corresponding to the measured pressure. They also feature quick response, remote setup and monitoring via BRAIN or HART communications, diagnostics, and optional status output for pressure high/low alarm. The multi-sensing technology provides the advanced diagnostic function to detect such abnormalities as an impulse line blockage or heat trace breakage.

FOUNDATION Fieldbus and PROFIBUS PA protocol types are also available.

All EJX series models in their standard configuration, with the exception of the Fieldbus and PROFIBUS types, are certified as complying with SIL 2 for safety requirement.



■ STANDARD SPECIFICATIONS

Refer to GS 01C25T02-01EN for Fieldbus communication type and GS 01C25T04-01EN for PROFIBUS PA communication type for the items marked with “∅.”

□ SPAN AND RANGE LIMITS

(For EJX610A, values are in absolute pressure and lower range limits are 0.)

Measurement Span/Range		MPa	psi (/D1)	bar (/D3)	kgf/cm ² (/D4)
A	Span	2 to 200 kPa	0.3 to 29	0.02 to 2	0.02 to 2
	Range	-100 to 200 kPa	-14.5 to 29	-1 to 2	-1 to 2
B	Span	0.01 to 2	1.5 to 290	0.1 to 20	0.1 to 20
	Range	-0.1 to 2	-14.5 to 290	-1 to 20	-1 to 20
C	Span	0.05 to 10	7.3 to 1450	0.5 to 100	0.5 to 100
	Range	-0.1 to 10	-14.5 to 1450	-1 to 100	-1 to 100
D	Span	0.35 to 70	50.8 to 10150	3.5 to 700	3.5 to 700
	Range	-0.1 to 70	-14.5 to 10150	-1 to 700	-1 to 700

□ PERFORMANCE SPECIFICATIONS

Zero-based calibrated span, linear output, wetted parts material code 'S' and silicone oil, unless otherwise mentioned.

For Fieldbus and PROFIBUS PA communication types, use calibrated range instead of span in the following specifications.

Specification Conformance

EJX series ensures specification conformance to at least $\pm 3\sigma$.

Reference Accuracy of Calibrated Span

(includes the effects of terminal-based linearity, hysteresis, and repeatability)

Measurement span		A
Reference accuracy	Span \geq X	$\pm 0.04\%$ of Span
	Span<X	$\pm(0.02+0.007 \text{ URL}/\text{span})\%$ of Span
X		70 kPa (10.2 psi)
URL (upper range limit)		200 kPa (29 psi)

Measurement span		B	C	D
Reference accuracy	Span \geq X	$\pm 0.04\%$ of Span		
	Span<X	$\pm(0.005+0.0035 \text{ URL}/\text{span})\%$ of Span		
X		0.2 MPa (29 psi)	1 MPa (145 psi)	7 MPa (1015 psi)
URL (upper range limit)		2 MPa (290 psi)	10 MPa (1450 psi)	70 MPa (10150 psi)

[EJX630A with /HAC]

Measurement span		A
Reference accuracy	Span≥X	±0.025% of Span
	Span<X	±(0.008+0.006 URL/span)% of Span

Measurement span		B	C	D
Reference accuracy	Span≥X	±0.025% of Span		
	Span<X	±(0.005+0.002 URL/span)% of Span		

Ambient Temperature Effects per 28°C (50°F) Change

A capsule: ±(0.04% of Span + 0.075% of URL)
 B capsule: ±(0.04% of Span + 0.018% of URL)
 C and D capsule: ±(0.04% of Span + 0.009% of URL)

Stability (All normal operating condition)

EJX630A: ±0.1% of URL for 15 years
 EJX610A: ±0.2% of URL for 15 years

Power Supply Effects

±0.005 % per Volt (from 21.6 to 32 V DC, 350Ω)

Vibration Effects

Amplifier housing code 1 and 3:

Less than 0.1% of URL when tested per the requirements of IEC60770-1 field or pipeline with high vibration level (10-60 Hz, 0.21 mm displacement/60-2000 Hz 3 g)

Amplifier housing code 2:

Less than ±0.1% of URL when tested per the requirements of IEC60770-1 field with general application or pipeline with low vibration level (10-60 Hz 0.15mm displacement /60-500 Hz 2g)

Mounting Position Effects

Rotation in diaphragm plane has no effect. Tilting up to 90 degree will cause zero shift up to 0.21 kPa (0.84 inH₂O) which can be corrected by the zero adjustment.

Response Time (All capsules) “◇”

90 ms
 When software damping is set to zero and including dead time of 45 ms (nominal)

□ **FUNCTIONAL SPECIFICATIONS**

Output

Two wire 4 to 20 mA DC output with digital communications, linear or square root programmable. BRAIN or HART FSK protocol are superimposed on the 4 to 20 mA signal.
 Output range: 3.6 mA to 21.6 mA
 Output limits conforming to NAMUR NE43 can be pre-set by option code C2 or C3.

Failure Alarm (Output signal code D, E and J)

Output status at CPU failure and hardware error;
 Up-scale: 110%, 21.6 mA DC or more (standard)
 Down-scale: -5%, 3.2 mA DC or less

Analog output status at process abnormality (Option code /DG6);

The result of process abnormality detected by the advanced diagnostic function can be reflected to an analog alert status. The following three setting modes are available.

		Mode		
		Burnout	Fall back	Off
Option Code	Standard	110%, 21.6mA or more	Holds to a specified value within the output range from 3.6mA to 21.6mA	Normal output
	/C1	-2.5%, 3.6mA or less		
	/C2	-1.25%, 3.8mA or less		
	/C3	103.1%, 20.5mA or more		

Damping Time Constant (1st order)

Amplifier’s damping time constant is adjustable from 0.00 to 100.00 s by software and added to response time.

Note: For BRAIN protocol type, when the software damping is set to less than 0.5 s, communication may occasionally be unavailable during the operation, especially while output changes dynamically. The default setting of damping ensures stable communication.

Update Period “◇”

Pressure: 45 ms

Zero Adjustment Limits

Zero can be fully elevated or suppressed, within the lower and upper range limits of the capsule.

External Zero Adjustment

External zero is continuously adjustable with 0.01% incremental resolution of span. Re-range can be done locally using the digital indicator with rangesetting switch.

Integral Indicator (LCD display, optional) “◇”

5-digit numerical display, 6-digit unit display and bar graph.

The indicator is configurable to display one or up to three of the following variables periodically; pressure in %, scaled pressure, measured pressure.

See also “Factory Settings.”

Local Parameter Setting (Output signal code D, E, and J)

Parameter configuration by the external zero adjustment screw and push button (Integral indicator code E) offers easy and quick setup for parameters of Loop test, Tag number, Unit, LRV, URV, Damping, Output mode (linear/square root), Display out 1, and Re-range by applying actual pressure (LRV/URV) and Device Information.

Burst Pressure

A, B and C capsule: 50 MPa
 D capsule: 182 MPa

Self Diagnostics

CPU failure, hardware failure, configuration error, process alarm for pressure or capsule temperature. User-configurable process high/low alarm for pressure is also available, and its status can be output when optional status output is specified.

Advanced Diagnostics (optional) “◇”

Applicable for Output signal code E, J and F.

- Impulse line blockage detection
The impulse line condition can be calculated and detected by extracting the fluctuation component from the static pressure signal.
- Heat trace monitoring
The change of the process connection temperature calculated by using the two temperature sensors built in the EJX enables to detect the heat trace breakage or the abnormal temperature due to the failure.

Signal Characterizer (Output signal code D, E and J)

User-configurable 10-segment signal characterizer for 4 to 20 mA output.

Status Output (optional, output signal code D, E and J)

One transistor contact output (sink type) to output the status of user configurable high/low alarm for pressure.

Rating: 30 V DC, 120 mA DC max.

Note: A check meter cannot be connected when status output option (/AL) is specified.
Refer to 'Wiring Example for Analog Output and Status Output.'

SIL Certification

EJX series transmitters except Fieldbus and PROFIBUS PA communication types are certified in compliance with the following standards;
IEC 61508: 2010;

Functional Safety of Electrical/electronic/programmable electronic related systems; SIL 2 capability for single transmitter use, SIL 3 capability for dual transmitter use.

Reliability Data different depending on hardware and software revision.

For details, refer to Functional Safety Data Sheet. (Document number: TI 01C25A05-01EN or TI 01C25A05-21EN for option code SLT)

The document can be downloaded from the website of Yokogawa.

(Website address: <https://www.yokogawa.com/solutions/products-platforms/field-instruments/>)

□ **NORMAL OPERATING CONDITION (Selected features may affect limits.)**

Ambient Temperature Limits

- 40 to 85°C (-40 to 185°F)
- 30 to 80°C (-22 to 176°F) with LCD display

Process Temperature Limits

- 40 to 120°C (-40 to 248°F)

Ambient Humidity Limits

- 0 to 100% RH

Maximum Over Pressure

Values are in absolute pressure for EJX610A.

Capsule	Pressure
A	4 MPa (580 psi)
B	16 MPa (2300 psi)
C	25 MPa (3600 psi)
D	105 MPa (15200 psi)

Working Pressure Limits (Silicone oil)

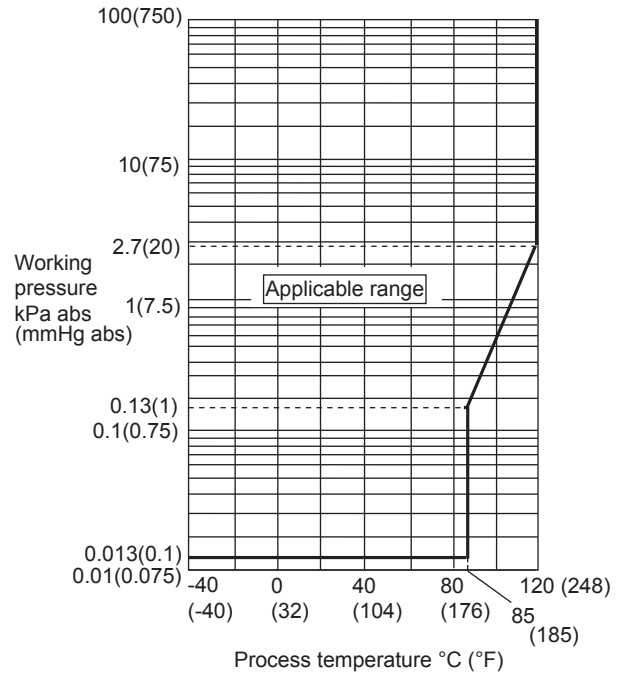
Maximum Pressure Limits

Values are in absolute pressure for EJX610A.

Capsule	Pressure
A	200 kPa (29 psi)
B	2 MPa (290 psi)
C	10 MPa (1450 psi)
D	70 MPa (10150 psi)

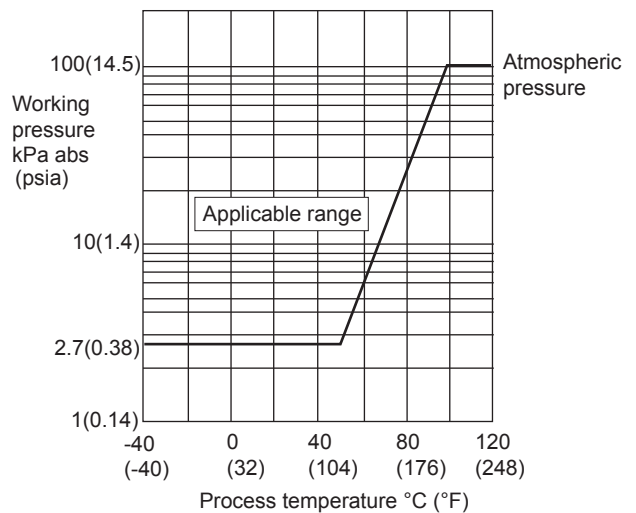
Minimum Pressure Limit

See graph below



F01E.ai

Figure 1-1. Working Pressure and Process Temperature [For EJX610A]



F02E.ai

Figure 1-2. Working Pressure and Process Temperature [For EJX630A]

Supply & Load Requirements (Output signal code D, E and J. Optional features or approval codes may affect electrical requirements.)

With 24 V DC supply, up to a 550Ω load can be used. See graph below.

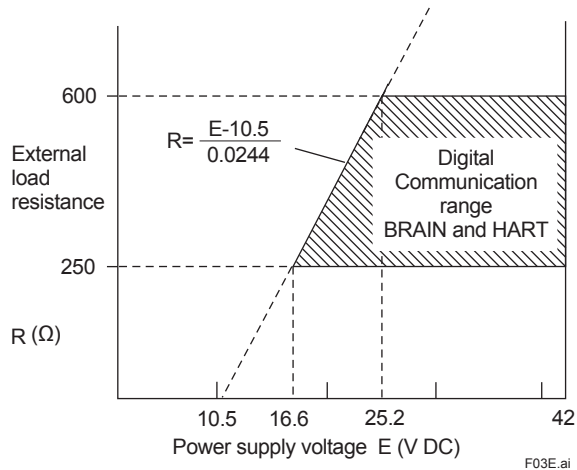


Figure 2. Relationship Between Power Supply Voltage and External Load Resistance

Supply Voltage “◇”

- 10.5 to 42 V DC for general use and flameproof type.
- 10.5 to 32 V DC for lightning protector (option code A).
- 10.5 to 30 V DC for intrinsically safe, type n, non-incendive or non-sparking type.
- Minimum voltage limited at 16.6 V DC for digital communications, BRAIN and HART

Load (Output signal code D, E and J)

- 0 to 1290Ω for operation
- 250 to 600Ω for digital communication

Communication Requirements “◇”

(Approval codes may affect electrical requirements.)

BRAIN

Communication distance

Up to 2 km (1.25 miles) when using CEV polyethylene-insulated PVC-sheathed cables. Communication distance varies depending on type of cable used.

Load capacitance

0.22 μF or less

Load inductance

3.3 mH or less

Input impedance of communicating device

10 kΩ or more at 2.4 kHz.

EMC Conformity Standards

- EN 61326-1 Class A, Table2
- EN 61326-2-3
- EN 61326-2-5 (for fieldbus)

European Pressure Equipment Directive

2014/68/EU

Sound Engineering Practice (for all capsules)

With option code /PE3 (for D capsule)

Category III, Module H, Type of Equipment: Pressure Accessory-Vessel, Type of Fluid: Liquid and Gas, Group of Fluid: 1 and 2

EU RoHS Directive

EN IEC 63000

Safety Requirement Standards

EN 61010-1, C22.2 No.61010-1

- Installation category: I
(Anticipated transient overvoltage 330 V)
- Pollution degree: 2
- Indoor/Outdoor use

□ PHYSICAL SPECIFICATIONS

Wetted Parts Materials

Diaphragm, process connector

Refer to “MODEL AND SUFFIX CODES.”

Non-wetted Parts Materials

Housing

- Low copper cast aluminum alloy
- Low copper cast aluminum alloy with corrosion resistance properties (copper content ≤ 0.03%, iron content ≤ 0.15%) (optional)
- ASTM CF-8M Stainless steel (optional)

Coating of housing

[for aluminum housing]

Polyester resin powder coating

Mint-green paint (Munsell 5.6BG 3.3/2.9 or its equivalent)

[for option code /P□ or /X2]

Epoxy and polyurethane resin solvent coating

Degrees of protection

IP66/IP67, Type 4X

Pipe

Polypropylene

Cover O-rings

Buna-N, fluoro-rubber (optional)

Name plate and tag

316 SST

Fill fluid

Silicone, Fluorinated oil (optional)

Weight

Capsule A, B and C: 1.2 kg (2.6 lb)*

Capsule D: 1.4 kg (3.1 lb)*

*: Without integral indicator and mounting bracket.

Add 1.5 kg (3.3 lb) for Amplifier housing code 2.

Connections

Refer to “MODEL AND SUFFIX CODES.”

< Related Instruments >

FieldMate Versatile Device Management Wizard:

Refer to GS 01R01A01-01E.

BRAIN TERMINAL: Refer to GS 01C00A11-00E

Power Distributor: Refer to GS 01B04T01-02E or GS 01B04T02-02E

< Reference >

1. *DPsharp* **EJX**[™] is a registered trademark of Yokogawa Electric Corporation.
 2. FieldMate; Trademark of Yokogawa Electric Corporation.
 3. Hastelloy; Trademark of Haynes International Inc.
 4. HART[®]; Registered trademark of the FieldComm Group.
 5. FOUNDATION Fieldbus; Trademark of the FieldComm Group.
 6. PROFIBUS; Registered trademark of Profibus Nutzerorganisation e.v., Karlsruhe, Germany.
- Other company names and product names used in this material are registered trademarks or trademarks of their respective owners.

■ MODEL AND SUFFIX CODES

For EJXC40A Remote Digital Sensor, please refer to GS 01C25W05-01EN.

Model	Suffix Codes	Description
EJX610A EJX630A	Absolute pressure transmitter Gauge pressure transmitter
Output signal	-D -E -J -F -G	4 to 20 mA DC Output with digital communication (BRAIN protocol) 4 to 20 mA DC Output with digital communication (HART 5 protocol) 4 to 20 mA DC with digital communication (HART 5 / HART 7 protocol) (Refer to GS 01C25T01-01EN) Digital communication (FOUNDATION Fieldbus protocol, refer to GS 01C25T02-01EN) Digital communication (PROFIBUS PA protocol, refer to GS 01C25T04-01EN)
Measurement span (capsule)	A B C D	2 to 200 kPa (0.3 to 29 psi) 0.01 to 2 MPa (1.5 to 290 psi) 0.05 to 10 MPa (7.3 to 1450 psi) 0.35 to 70 MPa (50.8 to 10150 psi)
Wetted parts material *2	S H	<u>Process connector</u> <u>Diaphragm</u> <u>Others</u> 316L SST *9# Hastelloy C-276 *1# 316L SST # or F316L SST # Hastelloy C-276 *1# Hastelloy C-276 *1# Hastelloy C-276 *1#
Process connections	4 7 8 9	1/2 NPT female 1/2 NPT male G1/2 DIN 16 288 male *3 M20×1.5 DIN 16 288 male *3
—	N	Always N
—	-0	Always 0
Amplifier housing	▶ 1 3 2	Cast aluminum alloy Cast aluminum alloy with corrosion resistance properties *4 ASTM CF-8M stainless steel *5
Electrical connection	▶ 0 2 4 5 7 9 A C D	G1/2 female, one electrical connection without blind plugs 1/2 NPT female, two electrical connections without blind plugs M20 female, two electrical connections without blind plugs G1/2 female, two electrical connections with a blind plug*6 1/2 NPT female, two electrical connections with a blind plug*6 M20 female, two electrical connections with a blind plug*6 G1/2 female, two electrical connections and a 316 SST blind plug 1/2 NPT female, two electrical connections and a 316 SST blind plug M20 female, two electrical connections and a 316 SST blind plug
Integral indicator	▶ D E N	Digital indicator *7 Digital indicator with the range setting switch (push button) *8 (None)
Mounting bracket	▶ L N	316 SST 2-inch pipe mounting None
Optional Codes		□/ Optional specification

The “▶” marks indicates the most typical selection for each specification. Example: EJX630A-DAS4N-012NN/□.

*1: Hastelloy C-276 or ASTM N10276.

*2: ⚠ Users must consider the characteristics of selected wetted parts material and the influence of process fluids. The use of inappropriate materials can result in the leakage of corrosive process fluids and cause injury to personnel and/or damage to plant facilities. It is also possible that the diaphragm itself can be damaged and that material from the broken diaphragm and the fill fluid can contaminate the user’s process fluids.

Be very careful with highly corrosive process fluids such as hydrochloric acid, sulfuric acid, hydrogen sulfide, sodium hypochlorite, and high-temperature steam (150°C [302°F] or above). Contact Yokogawa for detailed information of the wetted parts material.

*3: Not applicable for combination of capsule code D and wetted parts material code H. Threads are based on the withdrawn DIN 16 288.

*4: Not applicable for electrical connection code 0, 5, 7, 9 and A.

*5: Not applicable for electrical connection code 0, 5, 7 or 9.

*6: Material of a blind plug; aluminum alloy for code 5 and 9, and SUS304 for code 7.

*7: Not applicable for output signal code G.

*8: Not applicable for output signal code F.

*9: Intergranular corrosion test passed according to ASTM A262 Practice E.

The ‘#’ marks indicate the construction materials conform to NACE material recommendations per MR0175/ISO 15156. Please refer to the latest standards for details. Selected materials also conform to NACE MR0103.

■ OPTIONAL SPECIFICATIONS (For Explosion Protected type) “◇”

For other agency approvals and marine approvals, please refer to GS 01C25A20-01EN.

Please select appropriate equipment in accordance with the laws and regulations of the relevant country/region, when it is used in a location where explosive atmospheres may be present.

Item	Description	Code
Factory Mutual (FM)	FM Explosionproof Approval ^{*1} Applicable Standard: FM3600, FM3615, FM3810, NEMA 250, ANSI/UL 61010-1, ANSI/UL 61010-2-30 Explosionproof for Class I, Division 1, Groups B, C and D, Dust-ignitionproof for Class II/III, Division 1, Groups E, F and G, in Hazardous locations, indoors and outdoors (Enclosure: Type 4X) “FACTORY SEALED, CONDUIT SEAL NOT REQUIRED.” Temperature class: T6, Amb. Temp.: -40 to 60°C (-40 to 140°F)	FF1
	FM Intrinsically safe Approval ^{*1*2} Applicable Standard: FM 3600, FM 3610, FM 3611, FM 3810, ANSI/ISA-60079-0, ANSI/ISA-60079-11, ANSI/ISA-61010-1, NEMA 250 Intrinsically Safe for Class I, Division 1, Groups A, B, C & D, Class II, Division 1, Groups E, F & G and Class III, Division 1, Class I, Zone 0, in Hazardous Locations, AEx ia IIC Nonincendive for Class I, Division 2, Groups A, B, C & D, Class II, Division. 2, Groups F & G, Class I, Zone 2, Group IIC, in Hazardous Locations Enclosure: Type 4X, Temp. Class: T4, Amb. Temp.: -60 to 60°C (-75 to 140°F) Intrinsically Safe Apparatus Parameters [Groups A, B, C, D, E, F and G] Vmax=30 V, Imax=200 mA, Pmax=1 W, Ci=6 nF, Li=0 μH [Groups C, D, E, F and G] Vmax=30 V, Imax=225 mA, Pmax=1 W, Ci=6 nF, Li=0 μH	FS1
	Combined FF1 and FS1 ^{*1*2}	FU1
ATEX	ATEX Flameproof Approval ^{*1} Applicable Standard: EN IEC 60079-0, EN 60079-1, EN 60079-31 Certificate: KEMA 07ATEX0109 X II 2 G Ex db IIC T6..T4 Gb, II 2 D Ex tb IIIC T85°C Db Degree of protection: IP66/IP67 Amb. Temp. (Tamb) for gas-proof : T4; -50 to 75°C (-58 to 167°F), T5; -50 to 80°C (-58 to 176°F), T6; -50 to 75°C (-58 to 167°F) Process Temp. for gas-proof (Tp): T4; -50 to 120°C (-58 to 248°F), T5; -50 to 100°C (-58 to 212°F), T6; -50 to 85°C (-58 to 185°F) Max. surface Temp. for dust-proof: T85°C (Tamb: -30 to 75°C, Tp: -30 to 85°C) ^{*3}	KF22
	ATEX Intrinsically safe Approval ^{*1*2} Applicable Standard: EN IEC 60079-0, EN 60079-11 Certificate: DEKRA 11ATEX0228 X II 1 G Ex ia IIC T4 Ga, II 2 D Ex ia IIIC T85°C T100°C T120°C Db Degree of protection: IP66/IP67 Amb. Temp. (Tamb) for EPL Ga: -50 to 60°C (-58 to 140°F) Maximum Process Temp. (Tp) for EPL Ga: 120°C Electrical data: Ui=30 V, Ii=200 mA, Pi=0.9 W, Ci=27.6 nF, Li=0 μH Amb. Temp. for EPL Db: -30 to 60°C ^{*3} Max. surface Temp. for EPL Db: T85°C (Tp: 80°C), T100°C (Tp: 100°C), T120°C (Tp: 120°C)	KS21
	Multiple types of protection (KF22, KS21 or Intrinsically safe Ex ic) ^{*1*2} Applicable Standard: EN IEC 60079-0, EN 60079-11 II 3 G Ex ic IIC T4 Gc, Amb. Temp.: -30 to 60°C (-22 to 140°F) ^{*3} Ui=30 V, Ci=27.6 nF, Li=0 μH	KU22

Item	Description	Code
<p>Canadian Standards Association (CSA)</p>	<p>CSA Explosionproof Approval *1 Certificate: 2014354 Applicable Standard: C22.2 No. 25, C22.2 No. 30, C22.2 No. 94.2, C22.2 No.213 CAN/CSA-C22.2 No. 61010-1, CAN/CSA-C22.2 No. 61010-2-030, CAN/CSA-C22.2 No. 60079-0 CAN/CSA-C22.2 No. 60079-1, CAN/CSA-C22.2 No. 60529, ANSI/UL 122701 [For Explosion-proof] Class I, Groups B, C and D. Temperature Code: T6...T4 Process Temp.: T4; -50 to 120°C (-58 to 248°F), T5; -50 to 100°C (-58 to 212°F), T6; -50 to 85°C (-58 to 185°F) Amb.Temp.: T4; -50 to 75°C (-58 to 167°F), T5; -50 to 80°C (-58 to 176°F), T6; -50 to 75°C (-58 to 167°F) Enclosure: Type 4X [For Flameproof] Ex d IIC T6...T4 Process Temp.: T4; -50 to 120°C (-58 to 248°F), T5; -50 to 100°C (-58 to 212°F), T6; -50 to 85°C (-58 to 185°F) Amb.Temp.: T4; -50 to 75°C (-58 to 167°F), T5; -50 to 80°C (-58 to 176°F), T6; -50 to 75°C (-58 to 167°F) Enclosure: IP66/IP67 [For Dustignition-proof] Class II/III, Groups E, F and G. Temp. Code: T85°C T85°C (Tamb: -30* to 75°C, Tp: -30* to 85°C) *-15 °C (When fluorinated rubber O-ring is specified) Enclosure: Type 4X Process seal: Dual Seal with Annunciation No additional sealing required Primary seal failure annunciation: at the zero-adjustment screw.</p>	<p>CF1</p>
	<p>CSA Intrinsically safe Approval **2 Certificate: 1606623 [For Division System] Applicable Standard: CAN/CSA C22.2 No.0, CSA C22.2 No.94.2, CSA C22.2 No.213, CAN/CSA C22.2 No.61010-1, CAN/CSA C22.2 No.61010-2-030 Intrinsically Safe for Class I, Division 1, Groups A, B, C & D, Class II, Division 1, Groups E, F & G, Class III, Division 1, Nonincendive for Class I, Division 2, Groups A, B, C & D, Class II, Division 2, Groups F & G, Class III, Division 1 Enclosure: Type 4X, Temp. Code: T4 Amb. Temp.: -50 to 60°C(-58 to 140°F) *3 Electrical Parameters: [Intrinsically Safe] Vmax=30V, Imax=200mA, Pmax=0.9W, Ci=10nF, Li=0 μH [Nonincendive] Vmax=30V, Ci=10nF, Li=0 μH [For Zone System] Applicable Standard: CAN/CSA C22.2 No.60079-0, CAN/CSA C22.2 No.60079-11, CAN/CSA E60079-15, CAN/CSA C22.2 No.60529 Ex ia IIC T4, Ex nL IIC T4 Enclosure: IP66/IP67 Amb. Temp.: -50 to 60°C(-58 to 140°F) *3, Max. Process Temp.: 120°C(248°F) Electrical Parameters: [Ex ia] Ui=30V, Ii=200mA, Pi=0.9W, Ci=10nF, Li=0 μH [Ex nL] Ui=30V, Ci=10nF, Li=0 μH Process Sealing Certification Dual Seal Certified by CSA to the requirement of ANSI/ISA-12.27.01 No additional sealing required Primary seal failure annunciation: at the zero adjustment screw</p>	<p>CS1</p>
	<p>Combined CF1 and CS1 *1*2</p>	<p>CU1</p>

Item	Description	Code
IECEX Scheme	<p>IECEX Flameproof Approval *1 Applicable Standard: IEC 60079-0, IEC 60079-1, IEC 60079-31 Certificate: IECEX DEK 14.0046X Enclosure: IP66/IP67 Ex db IIC T6...T4 Gb, Ex tb IIIC T85°C Db Amb. Temp. (Tamb) for gas-proof : T4; -50 to 75°C (-58 to 167°F), T5; -50 to 80°C (-58 to 176°F), T6; -50 to 75°C (-58 to 167°F) Process Temp. for gas-proof (Tp): T4; -50 to 120°C (-58 to 248°F), T5; -50 to 100°C (-58 to 212°F), T6; -50 to 85°C (-58 to 185°F) Max. surface Temp. for dust-proof: T85°C (Tamb: -30 to 75°C, Tp: -30 to 85°C) *3</p> <hr/> <p>IECEX Intrinsically safe and SF22 *1*2 Intrinsically safe Ex ia Certificate: IECEX DEK 11.0081X Applicable Standard: IEC 60079-0, IEC 60079-11 Ex ia IIC T4 Ga Enclosure: IP66/IP67 Amb. Temp.: -50 to 60°C(-58 to 140°F), Max. Process Temp.: 120°C(248°F) Electrical Parameters: Ui=30V, li=200mA, Pi=0.9W, Ci=27.6nF, Li=0 μH</p> <p>Intrinsically safe Ex ic Certificate: IECEX DEK 13.0061X Applicable Standard: IEC 60079-0, IEC 60079-11 Ex ic IIC T4 Gc IP code: IP66 Amb. Temp.: -30 to 60°C(-22 to 140°F) *3, Max. Process Temp.: 120°C(248°F) Electrical Parameters: Ui=30V,Ci=27.6 nF, Li=0 μH</p> <p>Flameproof Refer to SF22</p>	<p>SF22</p> <hr/> <p>SU22</p>
Combination of Approval	Combination of KU22, FU1 and CU1 *1*2*4	V1U1

*1: Applicable for Electrical connection code 2, 4, 7, 9, C and D.

*2: Not applicable for option code /AL.

*3: Lower limit of temperature is -15°C (5°F) when /HE is specified.

*4: When this option code is specified, a wired tag plate (as of N4 option) shall be used for tag number.

■ OPTIONAL SPECIFICATIONS

Item		Description	Code
High Accuracy type ^{*19}		Reference accuracy: $\pm 0.025\%$ of Span	HAC
Painting	Color change	Amplifier cover only ^{*13}	P□
	Coating change	Amplifier cover and terminal cover, Munsell 7.5 R4/14 Anti-corrosion coating ^{*1}	PR X2
316 SST exterior parts		316 SST zero-adjustment screw and setscrews ^{*15}	HC
Fluoro-rubber O-ring		All O-rings of amplifier housing. Lower limit of ambient temperature: -15°C (5°F)	HE
Lightning protector		Transmitter power supply voltage: 10.5 to 32 V DC (10.5 to 30 V DC for intrinsically safe type, 9 to 32 V DC for Fieldbus communication type.) Allowable current: Max. 6000 A ($1 \times 40 \mu\text{s}$), Repeating 1000 A ($1 \times 40 \mu\text{s}$) 100 times Applicable Standards: IEC 61000-4-4, IEC 61000-4-5	A
Status output ^{*2}		Transistor output (sink type) Rating: 30 V DC, 120 mA DC (max) Low level: 0 to 2 V DC	AL
Oil-prohibited use	Degrease cleansing treatment		K1
	Degrease cleansing treatment and fluorinated oilfilled capsule. Operating temperature -20 to 80°C (-4 to 176°F)		K2
	Degrease cleansing treatment	With certificates	K41
	Degrease cleansing treatment and fluorinated oilfilled capsule. Operating temperature -20 to 80°C (-4 to 176°F)		K42
Oil-prohibited use with dehydrating treatment	Degrease cleansing and dehydrating treatment		K5
	Degrease cleansing and dehydrating treatment with fluorinated oilfilled capsule. Operating temperature -20 to 80°C (-4 to 176°F)		K6
	Degrease cleansing and dehydrating treatment	With certificates	K45
	Degrease cleansing and dehydrating treatment with fluorinated oilfilled capsule. Operating temperature -20 to 80°C (-4 to 176°F)		K46
Capsule fill fluid		Flourinated oil filled in capsule Operating temperature -20 to 80°C (-4 to 176°F)	K3
Calibration units ^{*3}	P calibration (psi unit)	(See Table for Span and Range Limits.)	D1
	bar calibration (bar unit)		D3
	M calibration (kgf/cm ² unit)		D4
Output limits and failure operation ^{*4}	Failure alarm down-scale : Output status at CPU failure and hardware error is -5% , 3.2mA DC or less.		C1
	NAMUR NE43 Compliant Output signal limits: 3.8 mA to 20.5 mA	Failure alarm down-scale: Output status at CPU failure and hardware error is -5% , 3.2 mA DC or less.	C2
		Failure alarm up-scale: Output status at CPU failure and hardware error is 110%, 21.6 mA or more.	C3
Gold-plated diaphragm ^{*18}		Surface of isolating diaphragms are gold plated, effective for hydrogen permeation.	A1
Wired tag plate		316 SST tag plate wired onto transmitter	N4
Data configuration at factory ^{*5}	Data configuration for HART communication type	Software damping, Descriptor, Message	CA
	Data configuration for BRAIN communication type	Software damping	CB
	Data configuration for HART communication type	Software damping, Descriptor, Message, External zero adjustment prohibition setting	CJ
	Data configuration for BRAIN communication type	Software damping, External zero adjustment prohibition setting	CK
Advanced diagnostics ^{*16}		Multi-sensing process monitoring • Impulse line blockage detection ^{*17} • Heat trace monitoring	DG6
European Pressure Equipment Directive ^{*14}		PED 2014/68/EU Category: III, Module: H, Type of Equipment: Pressure Accessory-Vessel, Type of Fluid: Liquid and Gas, Group of Fluid: 1 and 2	PE3
Material certificate ^{*6}	Process Connector		M15
	Process connector, Diaphragm, Capsule body		MA2

Calibration certificate	Text, Traceability		L4
	Text, Traceability, Primary standards list		L5
	Text, Traceability, Primary standards list, Calibration equipment list		L6
	Text, Traceability, Primary standards list, Calibration equipment list, Calibration equipment certificate		L9
Pressure test/ Leak test certificate*12	Test Pressure: 200 kPa (29 psi) *7	Nitrogen Gas or Water*11 Retention time: one minute	T05
	Test Pressure: 2 MPa (290 psi) *8		T06
	Test Pressure: 10 MPa (1450 psi) *9		T07
	Test Pressure: 70 MPa (10150 psi) *10		T15
Parameter list*22	List of setting and adjustment parameters		YP
Additional blind plug*23	Additional blind plug is attached to the conduit connection on both sides for storing transmitter		PP

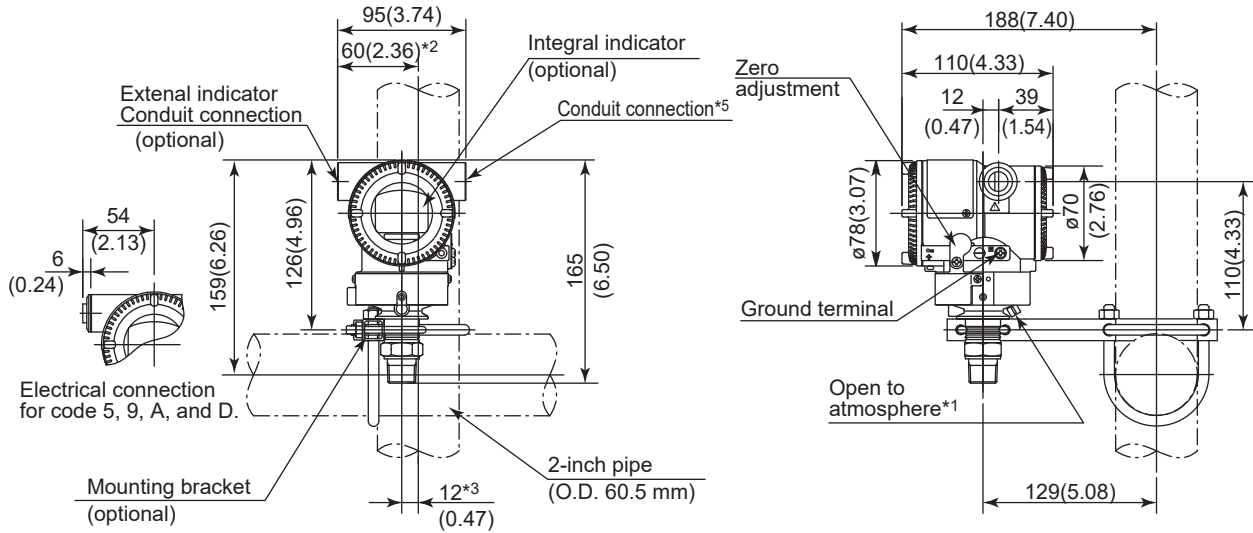
- *1: Not applicable with color change option.
- *2: Check/External indicator terminals cannot be used when this option code is specified. Not applicable for output signal code F and G.
- *3: The unit of MWP (Max. working pressure) on the name plate of a housing is the same unit as specified by option codes D1, D3, and D4.
- *4: Applicable for output signal codes D, E and J. The hardware error indicates faulty amplifier or capsule.
- *5: Also see 'Ordering Information'.
- *6: Material traceability certification, per EN 10204 3.1 B.
- *7: Applicable for capsule code A.
- *8: Applicable for capsule code B.
- *9: Applicable for capsule code C.
- *10: Applicable for capsule code D.
- *11: Dry nitrogen gas or pure water is used for oil-prohibited use (option codes K1, K2, K5, K6, K41, K42, K45, and K46).
- *12: The unit on the certificate is always kPa/MPa regardless of selection of option code D1, D3 and D4.
- *13: Not applicable for amplifier housing code 2 and 3.
- *14: Applicable for measurement span code D. If compliance with category III is needed, specify this option code.
- *15: 316 or 316L SST. The specification is included in amplifier code 2.
- *16: Applicable only for output signal code E and J.
- *17: The change of pressure fluctuation is monitored and then detects the impulse line blockage. See TI 01C25A31-01E for detailed technical information required for using this function.
- *18: Applicable for wetted parts material code S.
- *19: Refer to "PERFORMANCE SPECIFICATIONS". Applicable only for EJX630A.
Not applicable for the combination of measurement span code A and wetted parts material code H. Not applicable for option code K2, K3 or A1. When specified range values include negative value for A capsule, the accuracy shall be the standard accuracy even if high accuracy option (HAC) is specified.
- *20: (Not used)
- *21: (Not used)
- *22: Applicable only for output signal code D, E and J.
- *23: Not applicable for electrical connection codes 0, 2, and 4.

DIMENSIONS

Unit: mm (approx.inch)

Model EJX610A and EJX630A

With process connections code 7



*1: Only for EJX630A whose measurement span code is A, B, or C.

*2: 58 mm(2.28 inch) for measurement span code D.

*3: 11 mm(0.43 inch) for measurement span code D.

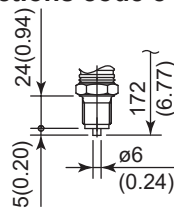
*4: When electrical connection code 7 or C is selected, a blind plug is protruded upto 8 mm (0.31 inch) from the conduit connection.

*5: When option code PP is selected, a blind plug is attached to the conduit connection on both sides.

With Process connections code 4

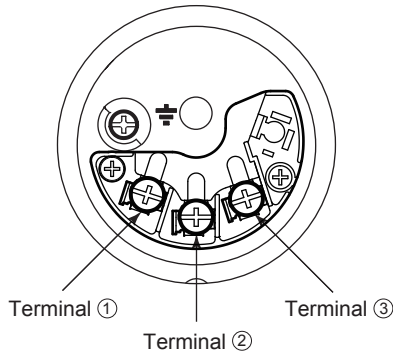


With Process connections code 8 and 9



F04E.ai

• Terminal Configuration



• Terminal Wiring

SUPPLY	+	①	Power supply and output terminals
	-	②	
CHECK	+	③	External indicator (ammeter) terminals ^{*4,5}
or	-	②	
ALARM	+	③	Status contact output terminals ^{*5}
	-	②	
			⏏ Ground terminal

*4: When using an external indicator or check meter, the internal resistance must be 10 Ω or less. A check meter or indicator cannot be connected when /AL option is specified.

*5: Not available for FOUNDATION Fieldbus and PROFIBUS PA communication types.

F05E.ai

• Wiring Example for Analog Output and Status Output

Connection	Description
<p>Analog output</p>	<p>EJX electrical terminal</p> <p>*1: Either A or +</p>
<p>Analog and status output (when /AL is specified)</p> <p>If shield cable is not used, communication is not possible.</p>	<p>EJX electrical terminal</p> <p>*1: Either A or +</p> <p>Use two-wire separately shielded cables.</p>

F06E.ai

< Ordering Information > “◇”

Specify the following when ordering

For output signal code **-J**, refer to GS 01C25T01-01EN.

1. Model, suffix codes, and option codes
2. Calibration range and units
 - 1) Calibration range can be specified with range value specifications up to 5 digits (excluding any decimal point) for low or high range limits within the range of -32000 to 32000. When reverse range is designated, specify Lower Range Value (LRV) as greater than Upper Range Value (URV). When specified range value includes minus value for A capsule, the accuracy shall be the standard accuracy even if high accuracy option (/HAC) is specified.
 - 2) Specify only one unit from the table, 'Factory Settings' when shipped.'
3. Display scale and units (for transmitters equipped with integral indicator only)

Specify either 0 to 100 % or engineering unit scale and 'Range and Unit' for engineering units scale: Scale range can be specified with range limit specifications up to 5 digits (excluding any decimal point) for low or high range limits within the range of -32000 to 32000. The unit display consists of 6-digit, therefore, if the specified unit is longer than 7 characters excluding '/', the first 6 characters will be displayed on the unit display.
4. Tag Number (if required)

Specified characters (up to 16 characters for BRAIN, 22 characters for HART, or 16 characters for /N4 tag) are engraved on the stainless steel tag plate fixed on the housing.
5. SOFTWARE TAG (for HART only. If required)

Specified characters (up to 32 characters) are set as "Tag" (the first 8 characters) and "Long tag"^{*1} (32 characters) in the amplifier memory. Use alphanumeric capital letters.

When the "SOFTWARE TAG" is not specified, specified "TAG NO" is set as "Tag" (the first 8 characters) and "Long tag"^{*1} (22 characters) in the amplifier memory.

^{*1}: applicable only when HART 7 is selected.
6. Other factory configurations (if required) Specifying option code **/CA**, **/CB**, **/CJ** or **/CK** will allow further configuration at factory. Following are configurable items and setting range.

[/CA, /CJ : For HART communication type]

 - 1) Descriptor (up to 16 characters)
 - 2) Message (up to 30 characters)
 - 3) Software damping in second (0.00 to 100.00)

[/CB, /CK : For BRAIN communication type]

 - 1) Software damping in second (0.00 to 100.00)

< Factory Setting > “◇”

Tag number	As specified in order
Software damping ^{*1}	'2.00 s' or as specified in order
Calibration range lower range value	As specified in order
Calibration range upper range value	As specified in order
Calibration range units	[EJX630A] Selected from mmH ₂ O, mmH ₂ O(68°F), mmAq ² , mmWG ² , mmHg, Pa, hPa ² , kPa, MPa, mbar, bar, gf/cm ² , kgf/cm ² , inH ₂ O, inH ₂ O(68°F), inHg, ftH ₂ O, ftH ₂ O(68°F) or psi. (Only one unit can be specified) [EJX610A] Torr, Pa abs, hPa abs ² , kPa abs, MPa abs, mbar abs, bar abs, kgf/cm ² abs, mmH ₂ O abs, mmH ₂ O abs(68°F), mmHg abs, inH ₂ O abs, inH ₂ O abs(68°F), inHg abs, ftH ₂ O abs, ftH ₂ O abs(68°F), psia, atm.
Display setting	Designated value specified in order. (% , or user scaled value.)

- *1: To specify these items at factory, **/CA**, **/CB**, **/CJ** or **/CK** option is required.
- *2: Not available for HART protocol type.

< Material Cross Reference >

ASTM	JIS
grade 316	SUS316
grade 316L	SUS316L
grade 304	SUS304

<Information on EU WEEE Directive>

EU WEEE (Waste Electrical and Electronic Equipment) Directive is only valid in the EU.

This instrument is intended to be sold and used only as a part of equipment which is excluded from WEEE Directive, such as large-scale stationary industrial tools, a large-scale fixed installation and so on, and, therefore, subjected to the exclusion from the scope of the WEEE Directive. The instrument should be disposed of in accordance with local and national legislation/regulations.